



SMART LOCK CATALOGUE

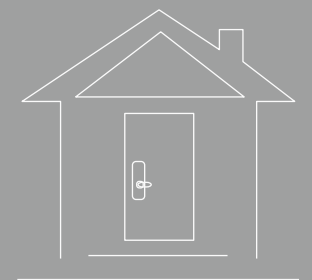


Address: 1377 rue Dumouchel, Sainte-Adèle, Quebec, CA J8B 1V9

Tel: +1 (263) 770-0476

Mail: info@dixdan.ca

Website: <https://paris-fenestration.com/>



Model No: A60 PRO

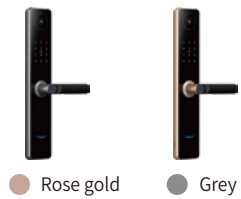


- Fingerprint
- Card
- Password
- Key
- WIFI
- APP

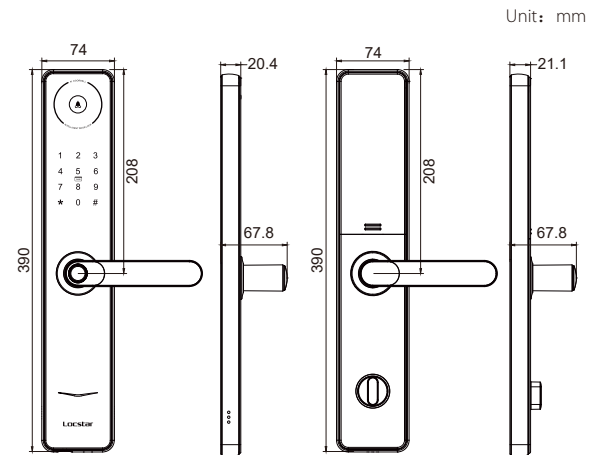


Technical parameter

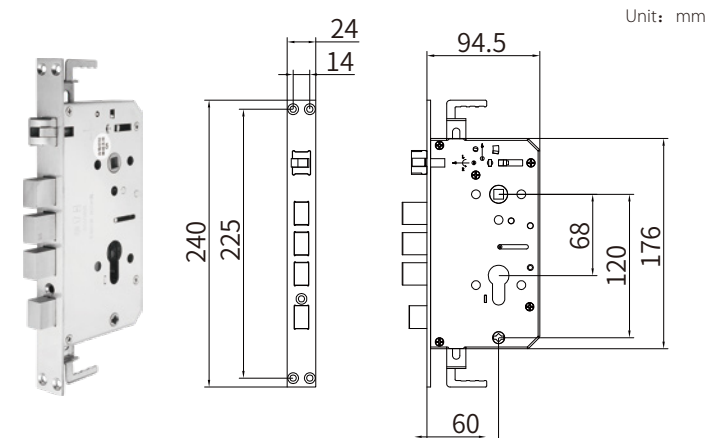
Support phone system	Android 4.3/IOS7.0 or above	
Power supply	8* AA alkaline battery	
Low-voltage alarm	4.8V	
Static current	65 μA	
Working current	<200 μA	
Unlocking time	≈1.5 seconds	
Working temperature	-20°C~70°C	
Key type	Touch screen key	
Password Capacity	Customized password+ permanent password	150pcs
	Dynamic password	No limited
Bluetooth standard	Bluetooth 4.1	
Card type	IC card 200PCS	
Cards Capacity	200pcs	
Unlocking way	APP、 Password、fingerprint、IC card、key	
Motor output voltage	-0.3V	
Fingerprint module	semi-conductor fingerprint module	
Fingerprint capacity	120pcs	
False recognition rate	<0.001%	
Rejection rate	<1.0%	



Panel measurement



Mortise measurement



Model No: A61 PRO

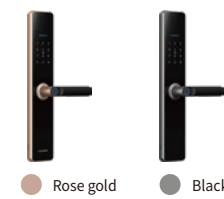


- Fingerprint
- Card
- Password
- Key
- WIFI
- APP

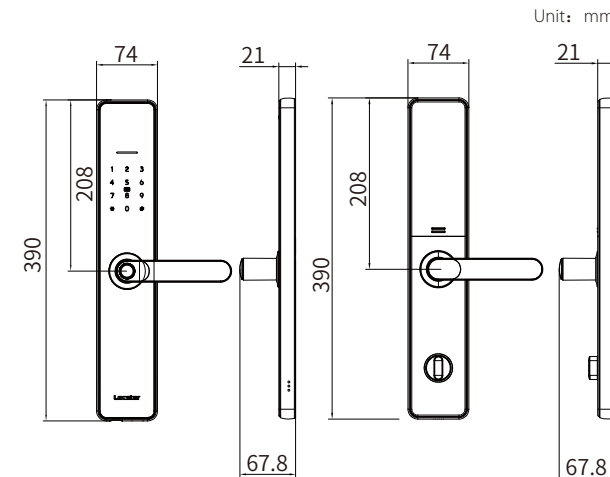


Technical parameter

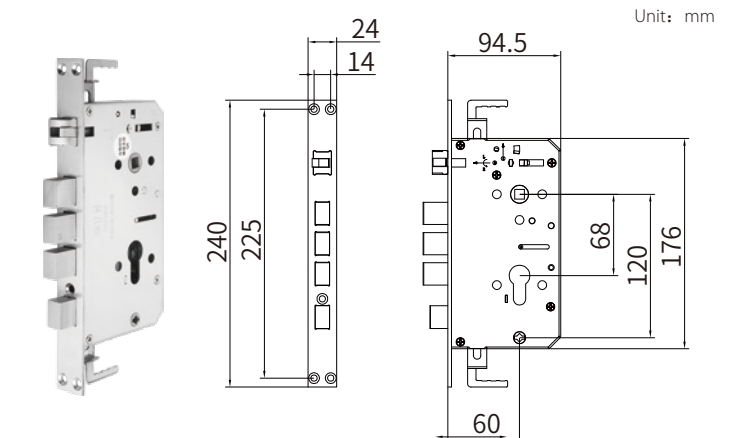
Support phone system	Android 4.3/IOS7.0 or above	
Power supply	8* AA alkaline battery	
Low-voltage alarm	4.8V	
Static current	65 μA	
Working current	<200 μA	
Unlocking time	≈1.5 seconds	
Working temperature	-20°C~70°C	
Key type	Touch screen key	
Password Capacity	Customized password+ permanent password	150pcs
	Dynamic password	No limited
Bluetooth standard	Bluetooth 4.1	
Card type	IC card 200PCS	
Cards Capacity	200pcs	
Unlocking way	APP、 Password、fingerprint、IC card、key	
Motor output voltage	-0.3V	
Fingerprint module	semi-conductor fingerprint module	
Fingerprint capacity	120pcs	
False recognition rate	<0.001%	
Rejection rate	<1.0%	



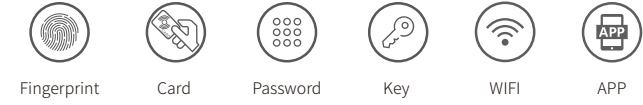
Panel measurement



Mortise measurement



Model No: A2



Technical parameter

Bluetooth standard	Bluetooth 4.1ble
Supported mobile phone	Android 4.3 / IOS 7.0 or above
Power supply mode	4AA Alkaline battery
Low voltage alarm	4.8V
Voltage range	4.5-6V
Standby current	65 microamps
Working current	Less than 200 Ma
Unlocking time	≈ 1.5 seconds
Operating temperature	-20 ~ 70 ° C
Key type	Capacitive touch button
IC cards Capacity	IC card 200PCS
Unlocking Ways	App, password, fingerprint, IC card, mechanical key
Fingerprint head type	Semiconductor fingerprint head
Fingerprint capacity	120 pieces
FAR	<0.001%
FRR	<1.0%
Passwords Capacity	Custom and permanent password 150
	Other dynamic passwords 150



Model No: A2 PRO



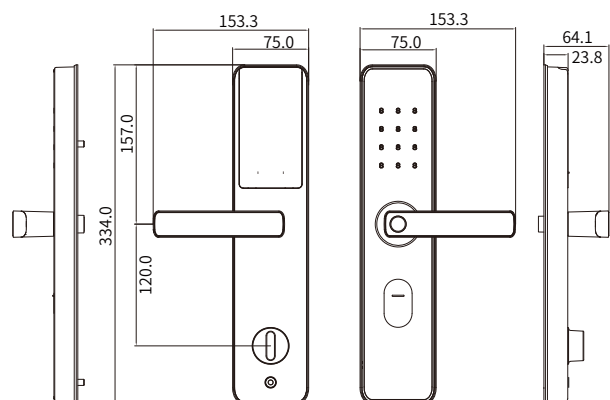
Technical parameter

Bluetooth standard	Bluetooth 4.1ble
Supported mobile phone	Android 4.3 / IOS 7.0 or above
Power supply mode	4AA Alkaline battery
Low voltage alarm	4.8V
Voltage range	4.5-6V
Standby current	65 microamps
Working current	Less than 200 Ma
Unlocking time	≈ 1.5 seconds
Operating temperature	-20 ~ 70 ° C
Key type	Capacitive touch button
IC cards Capacity	IC card 200PCS
Unlocking Ways	App, password, fingerprint, IC card, mechanical key
Fingerprint head type	Semiconductor fingerprint head
Fingerprint capacity	120 pieces
FAR	<0.001%
FRR	<1.0%
Passwords Capacity	Custom and permanent password 150
	Other dynamic passwords 150



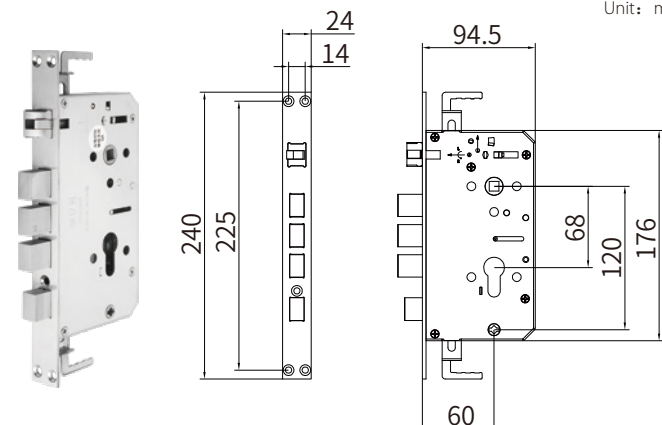
Panel measurement

Unit: mm



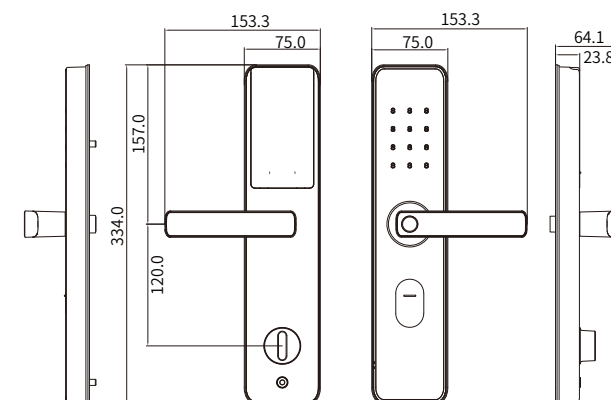
Mortise measurement

Unit: mm



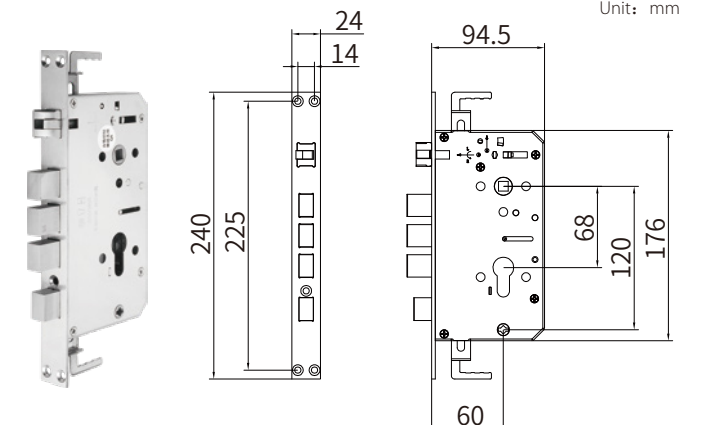
Panel measurement

Unit: mm

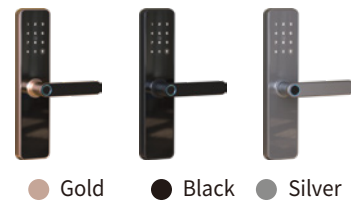
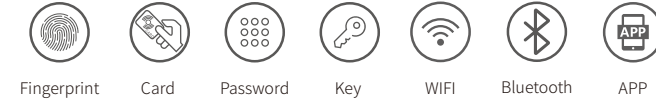


Mortise measurement

Unit: mm



Model No: LS-C91A

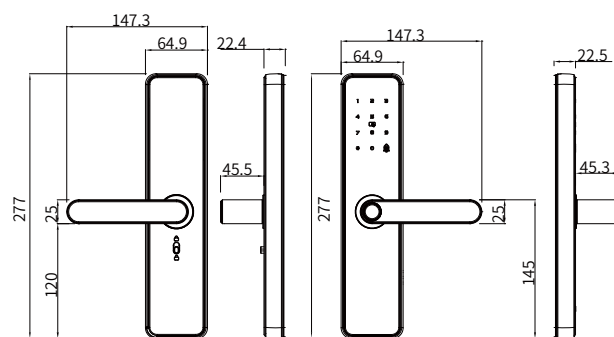


Technical parameter

Bluetooth standard	Bluetooth 4.1ble
Supported mobile phone	Android 4.3 / IOS 7.0 or above
Power supply mode	4AA Alkaline battery
Low voltage alarm	4.8V
Voltage range	4.5~6V
Standby current	65 microamps
Working current	Less than 200 Ma
Unlocking time	≈ 1.5 seconds
Operating temperature	-20 ~ 70 ° C
Key type	Capacitive touch button
IC cards Capacity	IC card 200PCS
Unlocking Ways	App, password, fingerprint, IC card, mechanical key
Fingerprint head type	Semiconductor fingerprint head
Fingerprint capacity	120 pieces
FAR	<0.001%
FRR	<1.0%
Passwords Capacity	Custom and permanent password 150
	Other dynamic passwords 150

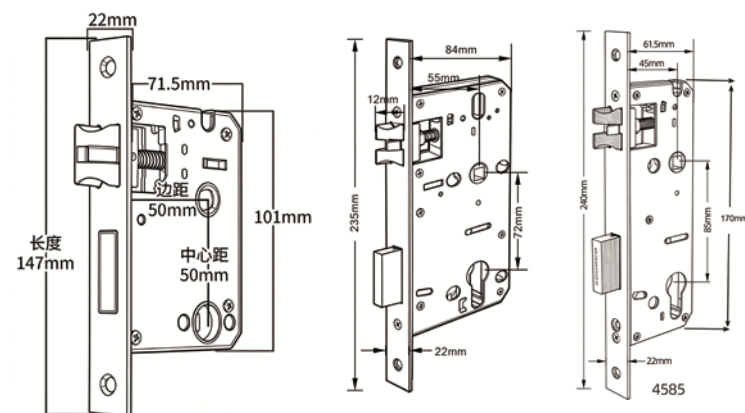
Panel measurement

Unit: mm



Mortise measurement

Unit: mm



Model No: LS-C13

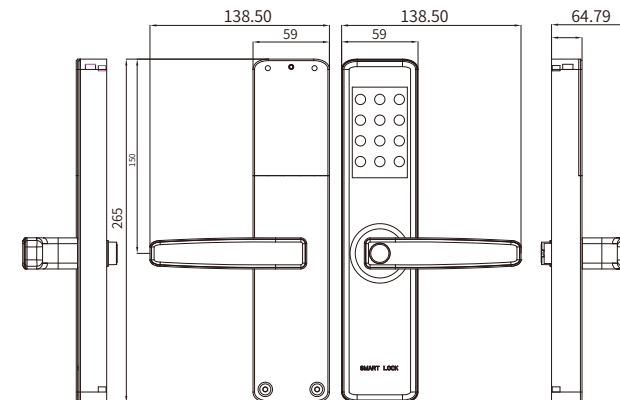


Technical parameter

Bluetooth standard	Bluetooth 4.1ble
Supported mobile phone	Android 4.3 / IOS 7.0 or above
Power supply mode	4AA Alkaline battery
Low voltage alarm	4.8V
Voltage range	4.5~6V
Standby current	65 microamps
Working current	Less than 200 Ma
Unlocking time	≈ 1.5 seconds
Operating temperature	-20 ~ 70 ° C
Key type	Capacitive touch button
IC cards Capacity	IC card 200PCS
Unlocking Ways	App, password, fingerprint, IC card, mechanical key
Fingerprint head type	Semiconductor fingerprint head
Fingerprint capacity	120 pieces
FAR	<0.001%
FRR	<1.0%
Passwords Capacity	Custom and permanent password 150
	Other dynamic passwords 150

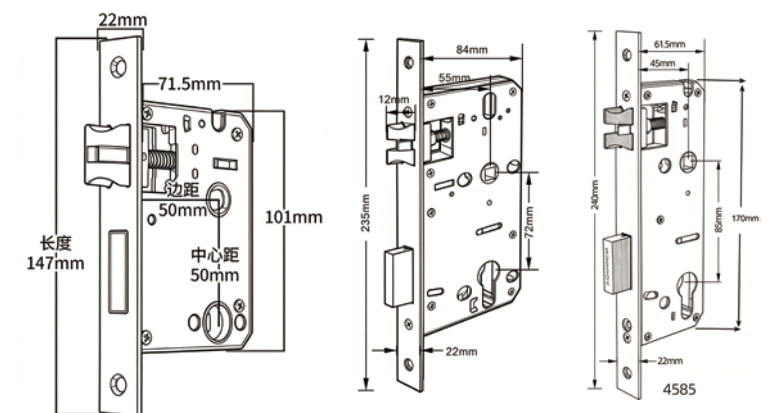
Panel measurement

Unit: mm



Mortise measurement

Unit: mm



Model No: LS-C13 PRO



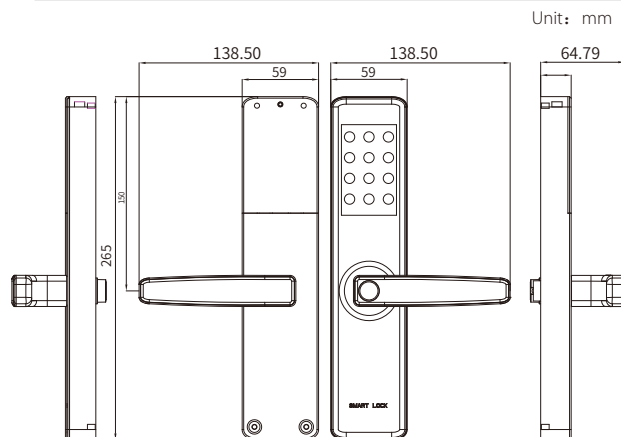
- Smart Camera
- Fingerprint
- Card
- Password
- Key
- WIFI
- APP



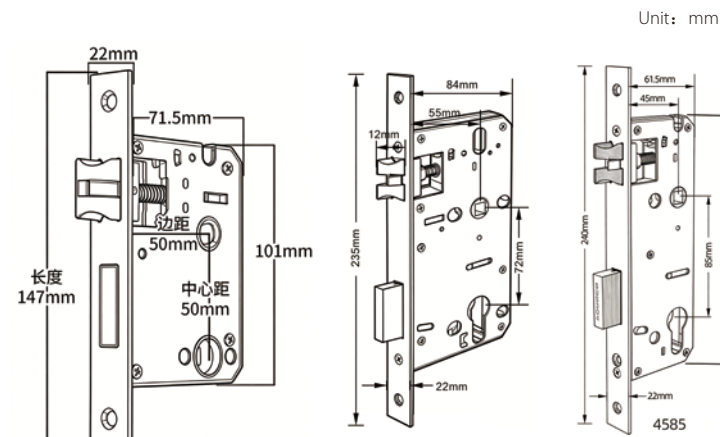
Technical parameter

Bluetooth standard	Bluetooth 4.1ble
Supported mobile phone	Android 4.3 / IOS 7.0 or above
Power supply mode	4AA Alkaline battery
Low voltage alarm	4.8V
Voltage range	4.5~6V
Standby current	65 microamps
Working current	Less than 200 Ma
Unlocking time	≈ 1.5 seconds
Operating temperature	-20 ~ 70 ° C
Key type	Capacitive touch button
IC cards Capacity	IC card 200PCS
Unlocking Ways	App, password, fingerprint, IC card, mechanical key
Fingerprint head type	Semiconductor fingerprint head
Fingerprint capacity	120 pieces
FAR	<0.001%
FRR	<1.0%
Passwords Capacity	Custom and permanent password 150
	Other dynamic passwords 150

Panel measurement



Mortise measurement



Model No: LS-C82A

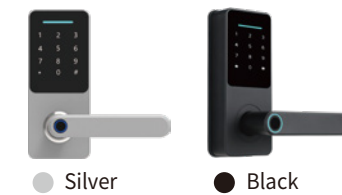


- Fingerprint
- Card
- Password
- Key
- Bluetooth
- WIFI
- APP

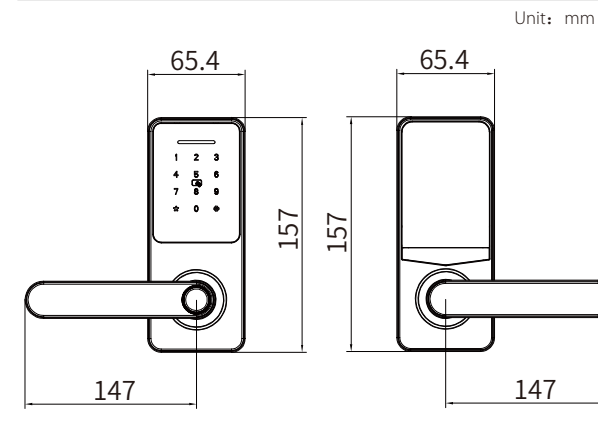


Technical parameter

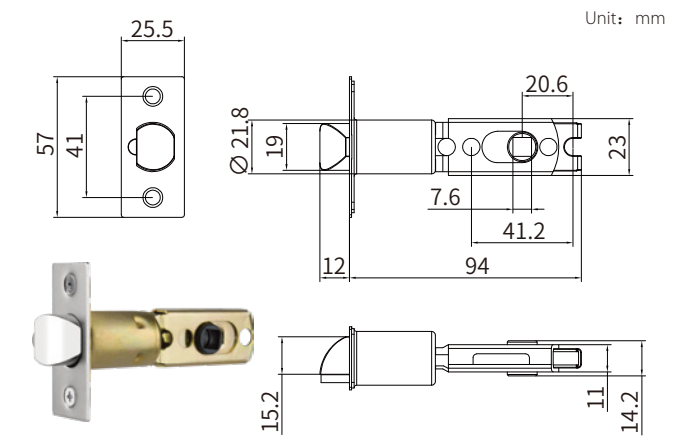
Bluetooth standard	Bluetooth 4.1ble
Supported mobile phone	Android 4.3 / IOS 7.0 or above
Power supply mode	4AA Alkaline battery
Low voltage alarm	4.8V
Voltage range	4.5~6V
Standby current	65 microamps
Working current	Less than 200 Ma
Unlocking time	≈ 1.5 seconds
Operating temperature	-20 ~ 70 ° C
Key type	Capacitive touch button
IC cards Capacity	IC card 200PCS
Unlocking Ways	App, password, fingerprint, IC card, mechanical key
Fingerprint head type	Semiconductor fingerprint head
Fingerprint capacity	120 pieces
FAR	<0.001%
FRR	<1.0%
Passwords Capacity	Custom and permanent password 150
	Other dynamic passwords 150



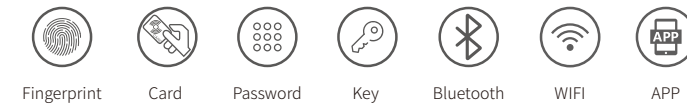
Panel measurement



Mortise measurement

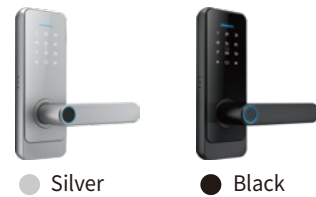


Model No: LS-C89



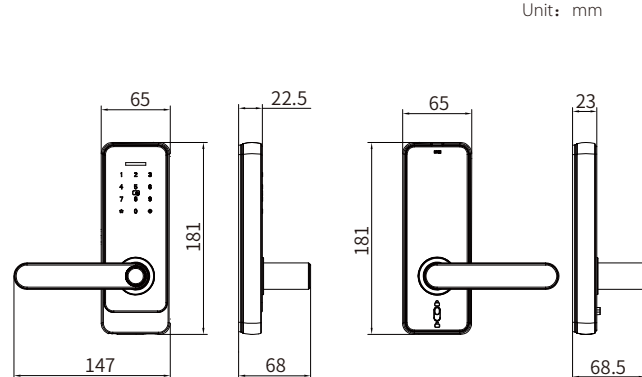
Technical parameter

Bluetooth standard	Bluetooth 4.1ble
Supported mobile phone	Android 4.3 / IOS 7.0 or above
Power supply mode	4AA Alkaline battery
Low voltage alarm	4.8V
Voltage range	4.5~6V
Standby current	65 microamps
Working current	Less than 200 Ma
Unlocking time	≈ 1.5 seconds
Operating temperature	-20 ~ 70 ° C
Key type	Capacitive touch button
IC cards Capacity	IC card 200PCS
Unlocking Ways	App, password, fingerprint, IC card, mechanical key
Fingerprint head type	Semiconductor fingerprint head
Fingerprint capacity	120 pieces
FAR	<0.001%
FRR	<1.0%
Passwords Capacity	Custom and permanent password 150
	Other dynamic passwords 150



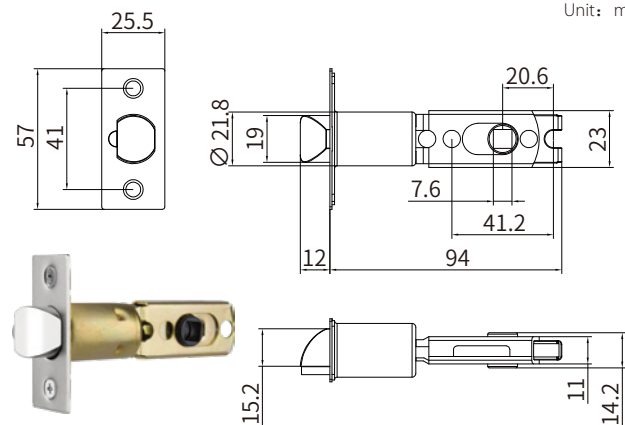
Panel measurement

Unit: mm

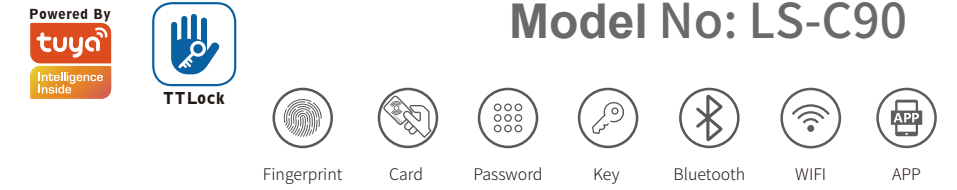


Mortise measurement

Unit: mm



Model No: LS-C90



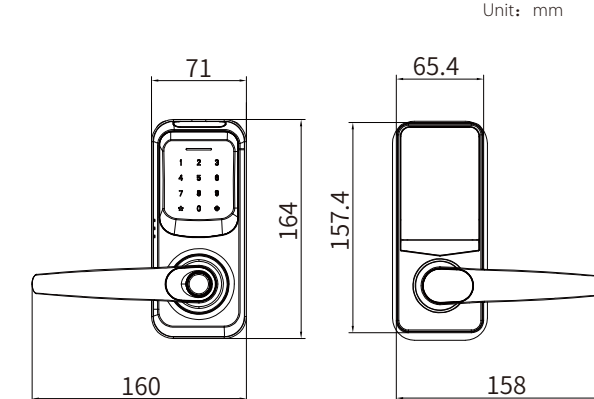
Technical parameter

Bluetooth standard	Bluetooth 4.1ble
Supported mobile phone	Android 4.3 / IOS 7.0 or above
Power supply mode	4AA Alkaline battery
Low voltage alarm	4.8V
Voltage range	4.5~6V
Standby current	65 microamps
Working current	Less than 200 Ma
Unlocking time	≈ 1.5 seconds
Operating temperature	-20 ~ 70 ° C
Key type	Capacitive touch button
IC cards Capacity	IC card 200PCS
Unlocking Ways	App, password, fingerprint, IC card, mechanical key
Fingerprint head type	Semiconductor fingerprint head
Fingerprint capacity	120 pieces
FAR	<0.001%
FRR	<1.0%
Passwords Capacity	Custom and permanent password 150
	Other dynamic passwords 150



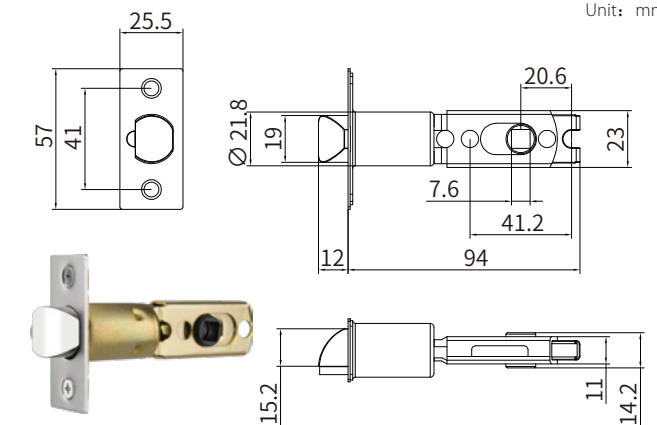
Panel measurement

Unit: mm

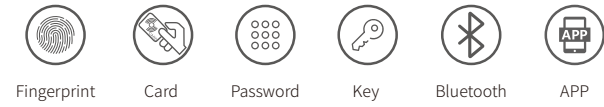


Mortise measurement

Unit: mm



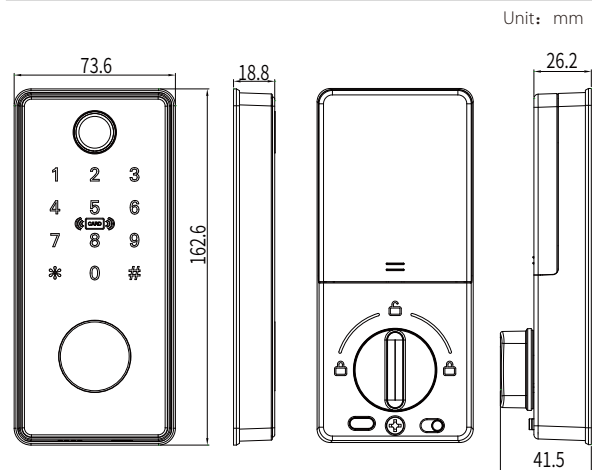
Model No: LS-C87A



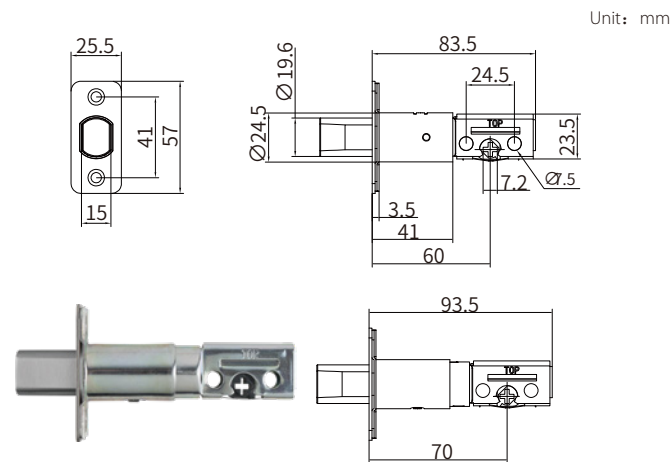
Technical parameter

Bluetooth standard	Bluetooth 4.1ble
Supported mobile phone	Android 4.3 / IOS 7.0 or above
Power supply mode	4AA Alkaline battery
Low voltage alarm	4.8V
Voltage range	4.5-6V
Standby current	65 microamps
Working current	Less than 200 Ma
Unlocking time	≈ 1.5 seconds
Operating temperature	-20 ~ 70 ° C
Key type	Capacitive touch button
IC cards Capacity	IC card 200PCS
Unlocking Ways	App, password, fingerprint, IC card, mechanical key
Fingerprint head type	Semiconductor fingerprint head
Fingerprint capacity	120 pieces
FAR	<0.001%
FRR	<1.0%
Passwords Capacity	Custom and permanent password 150
	Other dynamic passwords 150

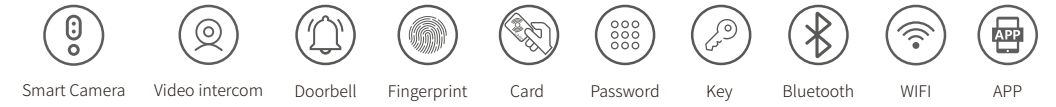
Panel measurement



Mortise measurement



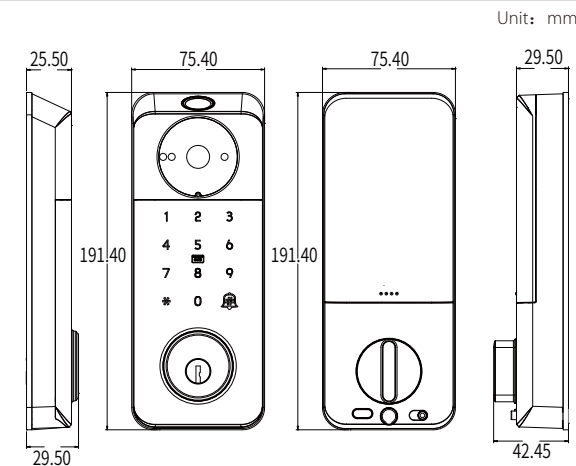
Model No: LS-C95



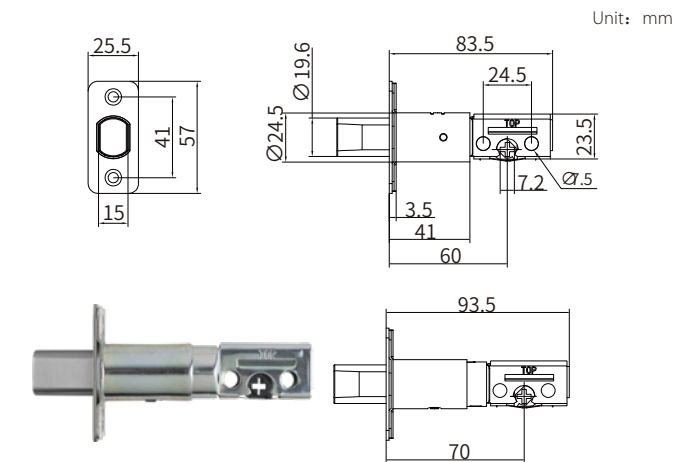
Technical parameter

Bluetooth standard	Bluetooth 5.0BLE
Network connection	2.4G WiFi 802.11b/g/n
Supported mobile phone systems	Android 4.3 or IOS7.0 or higher
Power supply mode	7.4V Lithium (full charge 8.4V)/5000mAh
Low alarm voltage	7.0 V
Voltage range	5-9V
Standby current	550 microampere (including cat eye, radar, face)
Working current	< 3A (average)
Key type	Capacitive touch keys
Password quantity	Custom and permanent password 250
	Other dynamic passwords are unlimited
Supported card types	IC card
Number of IC cards	1000 pcs
Unlocking mode	App, password, fingerprint, IC card, wireless key
Fingerprint head type	Semiconductor fingerprint head
Fingerprint capacity	100 pcs
Recognition rate (FAR)	< 0.001%
True rejection rate (FRR)	< 1.0%
Operating temperature	- 10 °C ~ 60 °C
sensor	2 million HD CMOS sensor color 0.1Lux@F1.2, black and white 0.01Lux@F1.2
Image output	Hd: 1960*1080@12fps
	Smooth: 640*360@25fps
Lens	Hd security mirror, 138° wide Angle, height 13±0.2mm
Nearest object distance	0.3m
Day-night switching mode	support
IR-CUT voice intercom	support
Mobile phone surveillance	Support mobile monitoring (iOS, Android)
Cloud storage	support

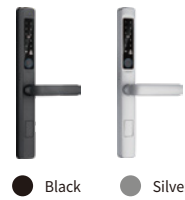
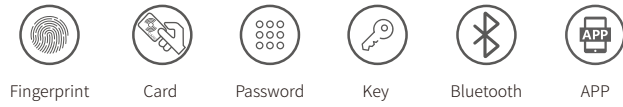
Panel measurement



Mortise measurement



Model No: LS-C105A



Technical parameter

Item Number	C105A
Material Made	Aluminium Alloy
Unlock Ways	Face/APP/ fingerprint/ password/IC card/key/TUYAWIFI
Power Supply	4AA Batteries(6V)
Card Capacity	200pcs
Finger Capacity	150pcs
Password Capacity	300pcs
Fingerprint Reader	FPC Fingerprint Reader
Card Type	IC Card
Identification Time	<0.3S
Low Voltage Warning	Below 4.8V
Working Temperature	-20°C~70°C
Working Humidity	10%~95%
Application Places	Residential, Apartment, Home, Office, Airbnb
Door Thickness	30mm~75mm

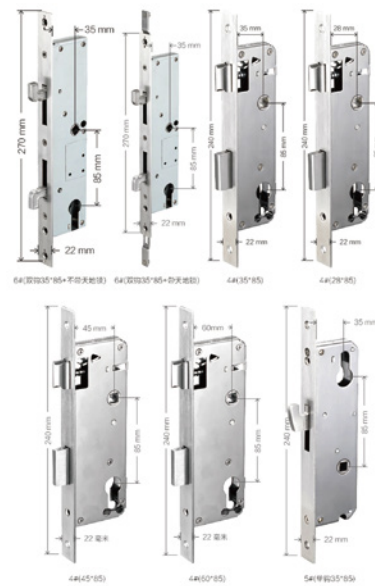
Panel measurement

Unit: mm

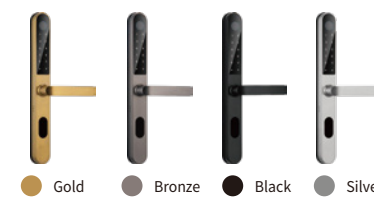
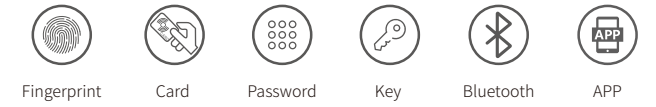


Mortise measurement

Unit: mm



Model No: LS-C105B

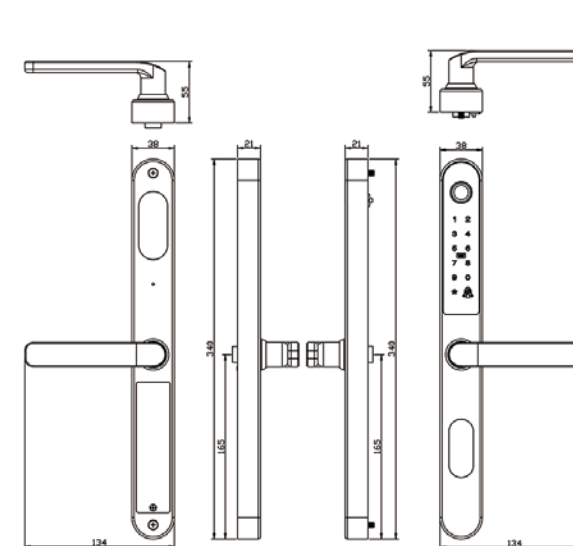


Technical parameter

Item Number	C105B
Material Made	Aluminium Alloy
Unlock Ways	Face/APP/ fingerprint/ password/IC card/key/TUYAWIFI
Power Supply	4AA Batteries(6V)
Card Capacity	200pcs
Finger Capacity	150pcs
Password Capacity	300pcs
Fingerprint Reader	FPC Fingerprint Reader
Card Type	IC Card
Identification Time	<0.3S
Low Voltage Warning	Below 4.8V
Working Temperature	-20°C~70°C
Working Humidity	10%~95%
Application Places	Residential, Apartment, Home, Office, Airbnb
Door Thickness	30mm~75mm

Panel measurement

Unit: mm



Mortise measurement

Unit: mm



TUYA LOCK SYSTEM

Gateway Zigbee /Wifi for different scenes



TuyaSmart or Smart Life app is free and features APP, convenient control, abundant scenarios, powerful functions, and global applicability. The app is compatible with different smart device types and brands. It has Android and iOS versions for you to control home appliances remotely.

Easily network matching: With the leading-edge Pegasus connection technology, the TuyaSmart or Smart Life app can automatically detect new devices and quickly pair with them.

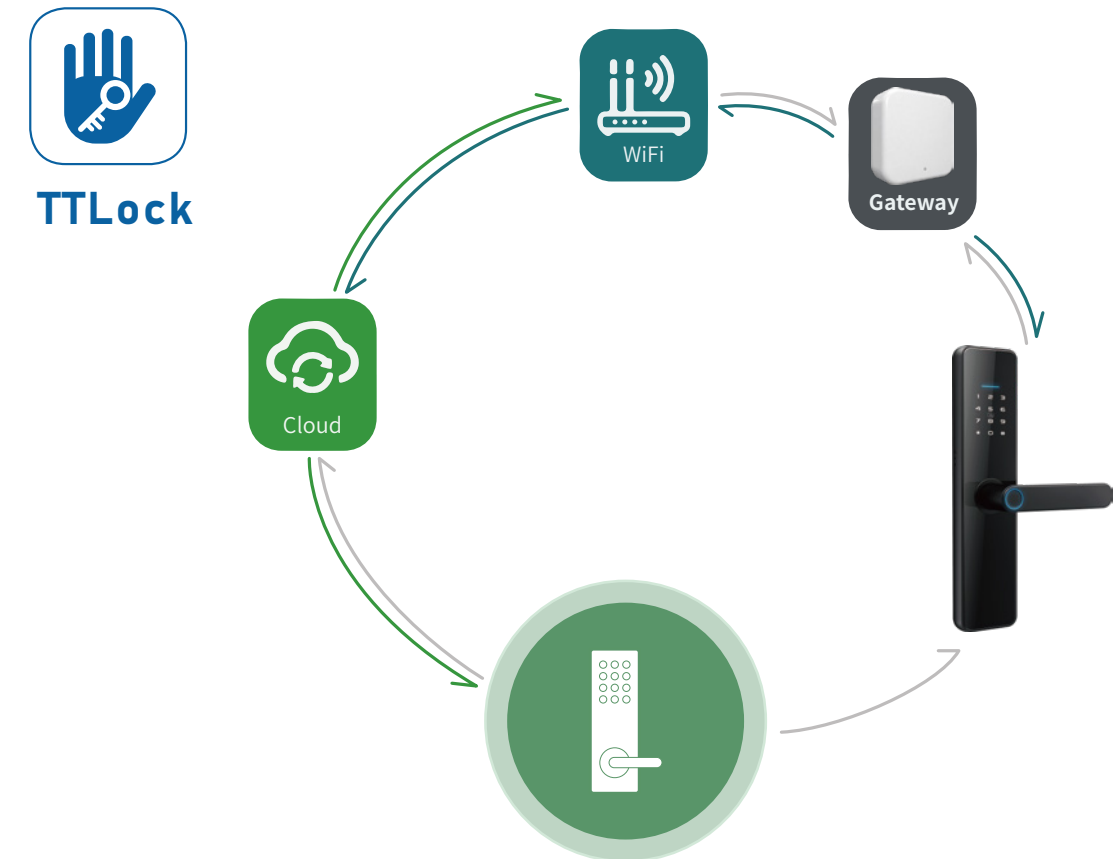
Convenient to work with other tuya home smart device- It supports one-tap execution of combined automation smart scenes, and linkage between scenes and devices to enable interactions and interconnections between products.

Support Amazon Alexa / Google home:It allows users to use third-party platforms such as Amazon Echo and Google Home to voice control devices. Permission management and device sharing ensure security.

To sum up, the TuyaSmart or Smart Life app enables global users to easily control smart devices and learn home appliance status in real time.

TTLOCK SYSTEM

Gateway Bluetooth for different scenes



TT Lock App is a management software for smart lock . This APP can be used to manage various types of smart locks, including door locks, parking locks, safe locks, bicycle locks, and so on. The App and the lock communicate via Bluetooth to unlock, lock, hardware upgrade, read operation record, etc. on the App. The Bluetooth key can also help open the door lock through the AI watch.Currently, the App supports Simplified Chinese, Traditional Chinese, English, Spanish, French, German, Italian, Russian, Portuguese, Serbian, Malay, Japanese, Vietnamese.

Unlimited eKeys: Grant or Revoke Access with our Patented Online Cloud based eKeys. eKeys can be Time/Period Based, Permanent, One Time, Cyclic or Customised.

Convenient Password : Grant Access via Intelligent Passcodes from Anywhere in the World in Realtime without the need of Internet/WiFi/GSM, Passcodes can be Time Based, Cyclic, One Time, Permanent or Customised.

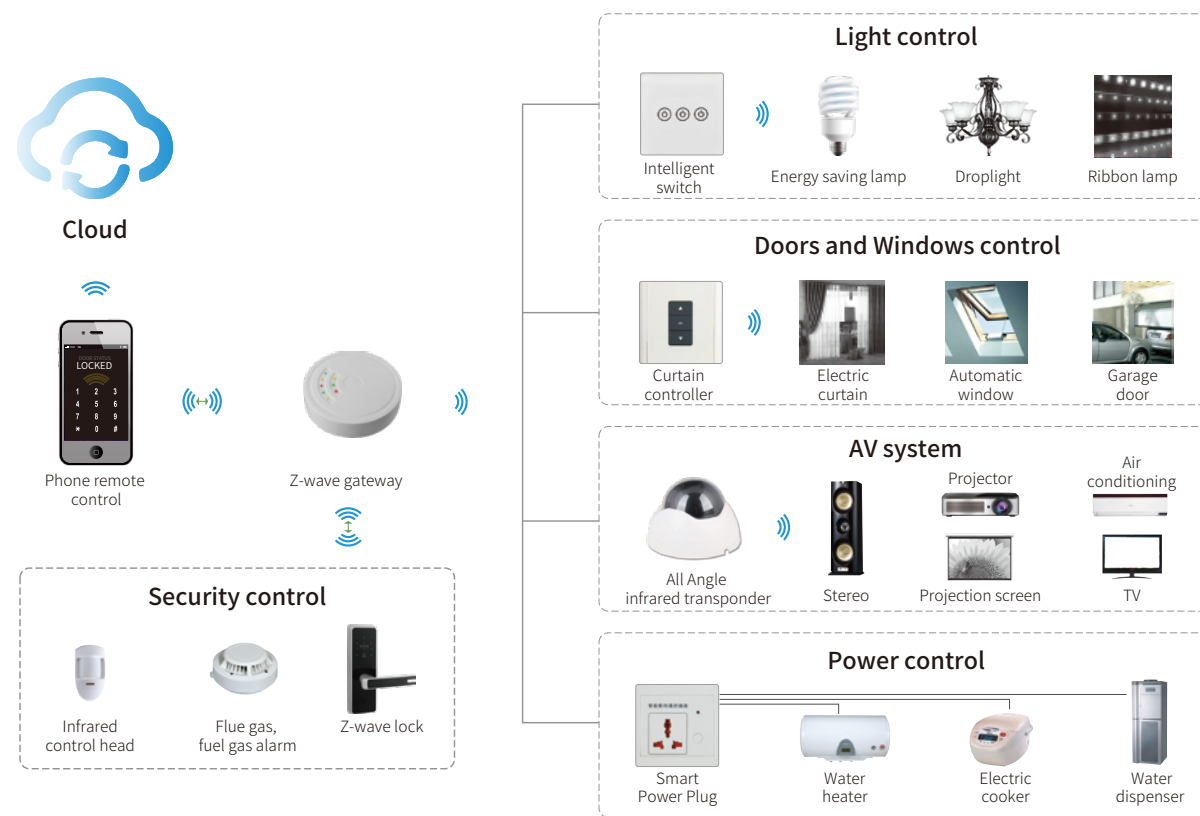
Free Checking Record by APP: Review Access Logs in Chronological order, Receive UNLOCK Notifications instantly.

Multiple Unlocking: Manage eKeys, Passcodes, Fingerprints, IC Cards all from within our APP.



Z-WAVE LOCK SYSTEM

Gateway Zigbee /Wifi for different scenes



The ZWAVE APP is a software from LOCSTAR develop, which is free for our customers. Security and convenience is one of the most important things which we all concern for smart home. Our wireless locks with Zwave technology (Zwave lock) can bring you all of these you expected. Our Zwave lock uses Zwave protocol which is an interoperable, wireless, RF-based communications technology, it is mature, proven and broadly deployed. Zwave lock is by far the world market leader in wireless and keyless access.

Security:

Control, monitoring and status reading applications to the lock through your smart phone. Operates in the sub-1GHz band; impervious to interference from Wi-Fi and other wireless technologies in the 2.4-GHz range. with AES128 encryption, IPV6, and multi-channel operation

Convenience:

Full interoperability through layer 6 with backwards compatibility to all versions. Standard Zwave protocol, compatible with other Zwave devices, if you already have Zwave solution smart home, just add our Zwave lock in the current system. no need wiring to the lock Control / monitoring your lock from anywhere through smart phone.

Application:

Anywhere you'd like to have wireless keyless management to your property, such as house, apartment, hotel, vacation rental properties.

Function Features:

Model	LS-ZG06	Working Frequency	ZWave 908.42MHz(US), 868.42MHz(EU) 921.42MHz(Aus)	Node NO.	232
Storage Humidity	10%-95%	Frequency	72MHz	Working Range	≤30m(inside), 100m(outside)
Storage Temperature	-20~70°C	Storage	128 Kbytes of Flash memory 20 Kbytes of SRAM	Network type	Mesh
Working Temperature	-20~60°C			Time to Add Node	30Seconds
Input Voltage	5V/2A			Range	≤6m
Core	ARM 32-bit Cortex™-M3 CPU			Frequency	38kHz



TTLock APP

GATEWAY G2



Model :	G2
Dimensions :	70mm x 70mm x 26mm
Network :	WiFi 2.4G
IEEE standard :	802.11 b/g/n
Power interface :	Type-C USB
Power input :	DC 5V/500mA

GATEWAY G3



Model :	G3
Dimensions :	70mm x 70mm x 26mm
Network :	RJ45
IEEE standard :	802.3
Power interface :	Type-C USB
Power input :	DC 5V/500mA/PoE(G3P only)

GATEWAY G4



Model :	G4
Dimensions :	110x110x35mm
Network :	4G(TLE)
Power input :	DC 5V/500mA

GATEWAY G5



Model :	G5
Dimensions :	75x75x24mm
Network :	WiFi 2.4G/5G
Power input :	DC 5V/500mA

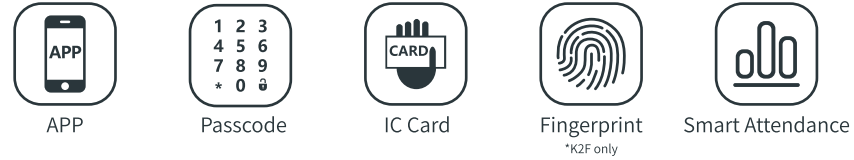
GATEWAY G6



Model :	G6
Dimensions :	75x75x24mm
Network :	WiFi 2.4G
Power input :	DC 5V/500mA

K2/K2F

Smart Access Control



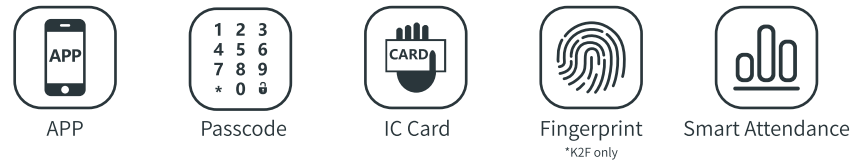
Model:	K2(Basics)/K2F (Fingerprint)
Dimensions:	W79mm x H125mm x T15.5mm
Material:	Aluminum frame/Tempered glass panel
Supporting systems:	Android 4.3/IOS7.0 above
Stand-by current :	≈15mA
Operating current:	≈1A
Power supply:	DC 12V
Unlocking time:	≈1.5S
Waterproof level :	IP66(K2only)
Card capacity:	20,000
Fingerprint capacity:	100(K2F only)

K3W/K3FW

IP67 Waterproof
Smart Access Control
Applicable to TTLock, TTHotel, TTRenting

APP Management

Online Fingerprint issuance



Model:	K3W (Basics) K3FW (Fingerprint)
Dimensions :	W80mm x H126mm x T19mm
Material:	ABS/Acrylic
Supporting systems:	Android 4.3/IOS7.0 above
Network:	WiFi2.4G
IEEE standard :	802.11b/g/n/ax
Network encryption:	WPA/WPA2/WPA3
Stand-by current:	20mA (Backlight off) 50mA (Backlight on)
Operating current :	~1A
Power supply :	DC 12~24V
Waterproof level :	IP67
Working Temperature:	20~70°C
Card capacity:	2000
Number of Passwords:	500
Fingerprint capacity:	100(K3FW only)

K3QW

QR Code Smart Access Control
Applicable to TTLock, TTHotel, TTRenting



Model :	K3QW
Dimensions :	W80mm x H126mm x T19mm
Material:	ABS/Acrylic
Supporting systems:	Android 4.3/IOS7.0 above
Network:	WiFi2.4G
IEEE standard :	802.11b/g/n/ax
Network encryption:	WPA/WPA2/WPA3
Stand-by current :	20mA (Backlight off) 50mA (Backlight on)
Operating current :	≈1A
Power supply:	DC 12V
Card capacity:	2000
Number of Passwords:	500



Smart Access Control K3D

Video Intercom
IP67, WiFi Connection, App Management

Model:	K3D
Dimensions :	W80mm x H130mm x T20mm
Material:	ABS/Acrylic
Supporting systems:	Android 4.3/IOS7.0 above
Network:	WiFi2.4G
IEEE standard :	802.11b/g/n/ax
Network encryption:	WPA/WPA2/WPA3
Stand-by current:	60mA (Backlight on)
Power supply:	DC12~24V
Waterproof level:	IP67
Working Temperature :	-20~50°C
Card capacity:	2000
Number of Passwords :	500
Fingerprint capacity :	100
Face storage capacity:	100
Palm storage capacity:	100
Video Intercom:	Support

Doorbell DB2

Video Intercom



2 megapixels



Motion Detection



Night Vision



Video Intercom



Gateway Integrated



Model:	DB2
Material:	Plastics
Dimensions :	135mm x 48mm x 32mm
Power supply:	2x18650
Power input:	Type-CUSB
Res:	1920*1080@15fps;640*360@15fps;
Operating temperature:	-10°C~45°C



Real-time monitoring



Alert Notification



Video Snapshot

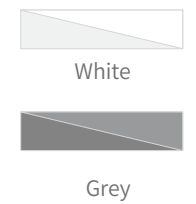


Cloud Storage

Model:	TC2
Dimensions :	44x24x44mm
Network:	WiFi2.4G
IEEE standard :	802.11b/g/n
Powerinterface:	Micro USB
Power input:	3.7~4.2V
Memory card :	TF card(Up to 1TB)
Working temperature:	-20°C~70°C

DS2 Door Sensor

Model:	DS2
Dimensions:	41mmx27mmx11.5mm 41mm x10mm x11.5mm
Material:	ABS
Frequency:	2.4GHz
Power :	CR2032
Voltage:	3V
Longevity:	2years
Stand-by current:	<5uA
Induction distance :	<22mm



NETWORK CAMERA TC2



Auto Lock after door closed



Door Status



Operation Log



Smart Sensor

*Applicable to TLock



GATEWAY T2



Product name	BleGateway
Input :	5V---1A(Direct current)
Working temperature	-10°C~55°C
Working humidity	10%~90% RH (no condensation)
Dimensions	80x80x38MM
Wireless technology	Wi-Fi802.11b/g/n BLEMESH(SDG
Radio frequency :	2.400~2.4835GHz
Transmit power	Wi-Fi 21dBmBluetooth 7dBm
Net weight :	349

Technical parameter

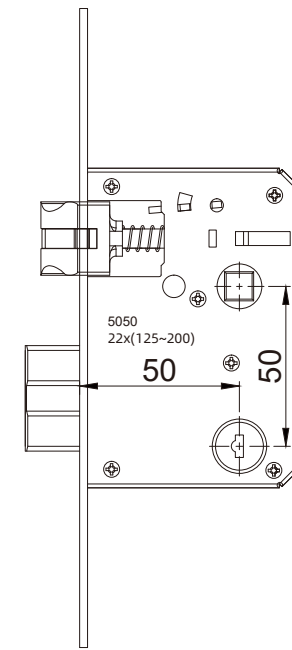
Choose the model

Card type	Remarks
RFID card	Mifare S50, M1 card, based on 13.56MHZ, with 16 sectors to set different function. use most for hotel lock.
IC card	IC(Integrated Circuit Card), also known as Smart card, Large reading and writing capacity, encryption function, reliable data record, more convenient to use, such as card system, consumption system, attendance system, use most for smart lock.

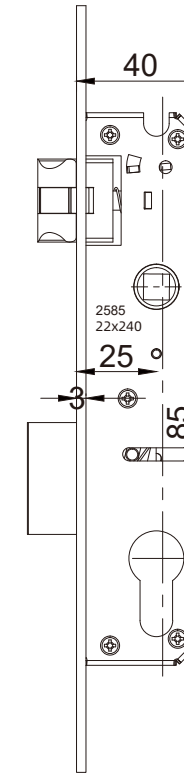
Specification

Type of door lock	RFID Sensor card lock		IC card lock	TM card lock	Password lock
Electronic Key	NXP Mifare 1 S50 Mifare® Smart Card	ATMEL T5557 Mifare® Smart Card	Siemens SLE4442 Smart Card	Dallas DS1991L-F5 Smart Card	Max 8 digits user code
International standard	ISO14443-A	ISO11784/785	ISO7816	Dallas Patent Technology	
Encryption type	48 bits proprietary logic encryption card and system data DES encryption	32 bits proprietary logic encryption card and system data DES encryption	System data DES encryption	64 bits proprietary logic encryption card and system data DES encryption	Max 8 digits user code
Static Current	≤25μA	≤15μA	≤10μA	≤5μA	≤10μA
Battery Life	≥10000 times			≥15000 times	≥15000 times
Power Supply	4xAA(6V) / 6xAA(9V)				
Low Voltage Index	5.0 V / 7.2V				
Dynamic Current	≤200mA				
Working temperature	-20°C ~ 55°C				
Reliability	≥30000 times				
Mechanic life	≥100000 times				

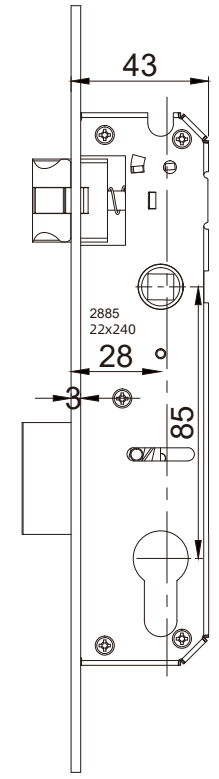
Technical parameter



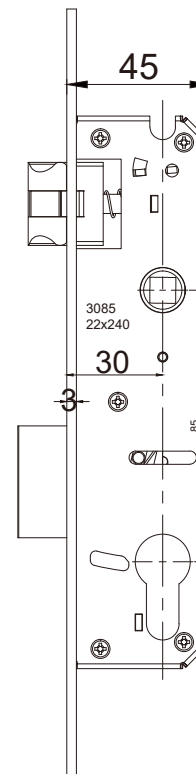
5050



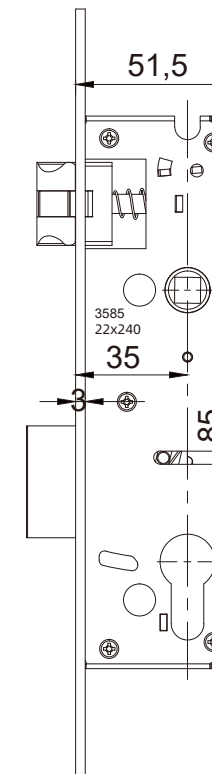
2585



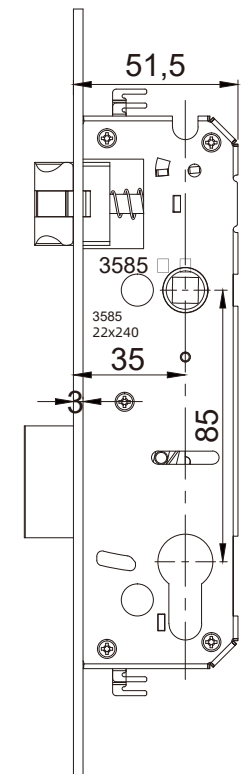
2885



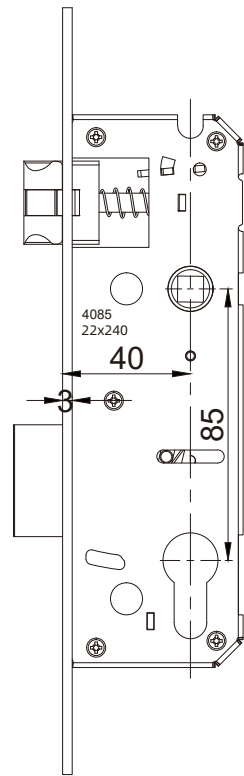
3085



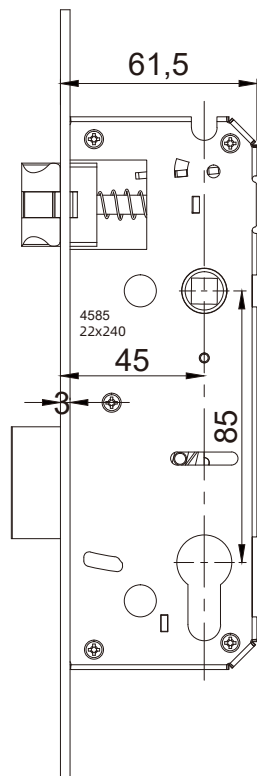
3585



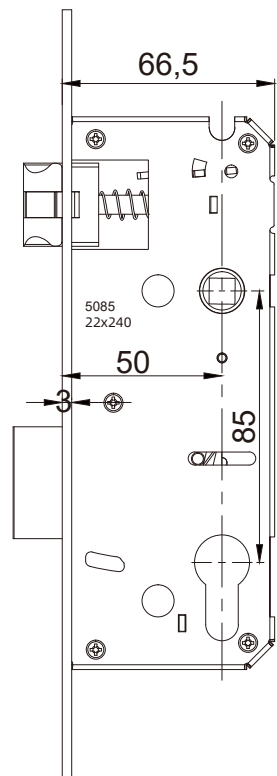
3585



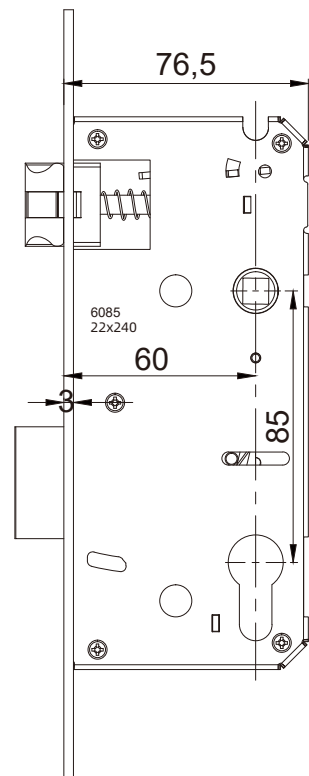
4085



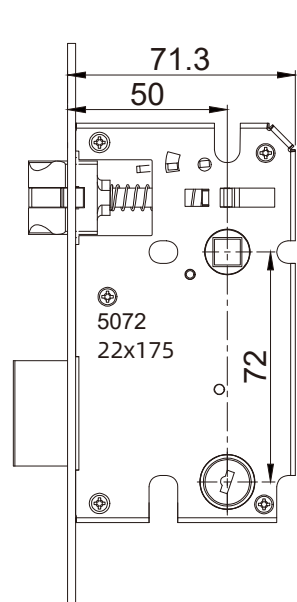
4585



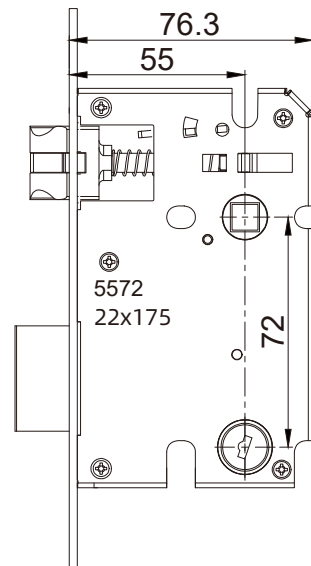
5085



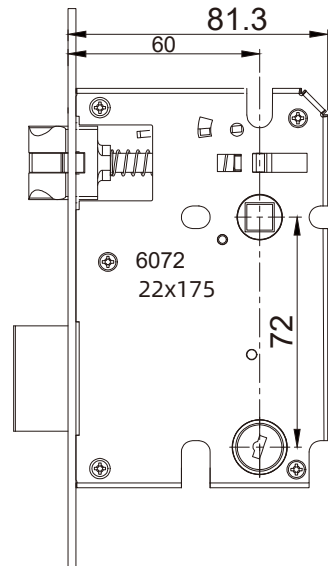
6085



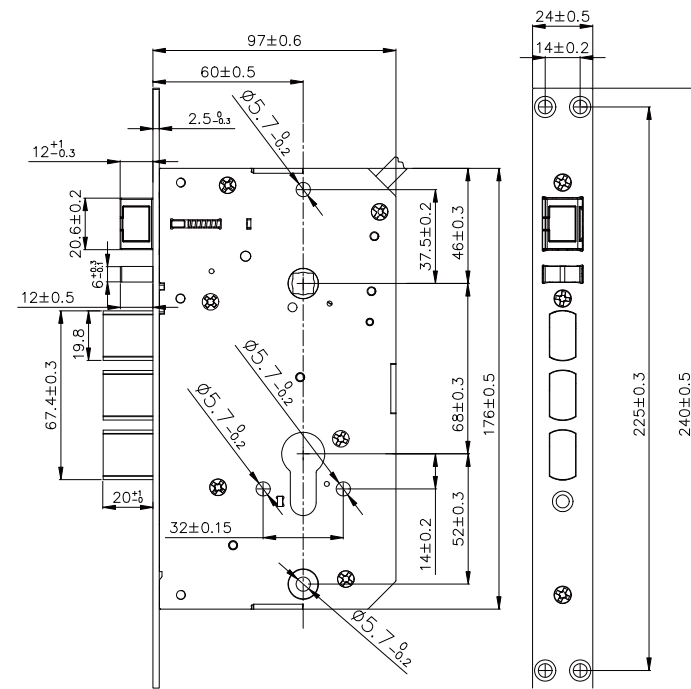
5072



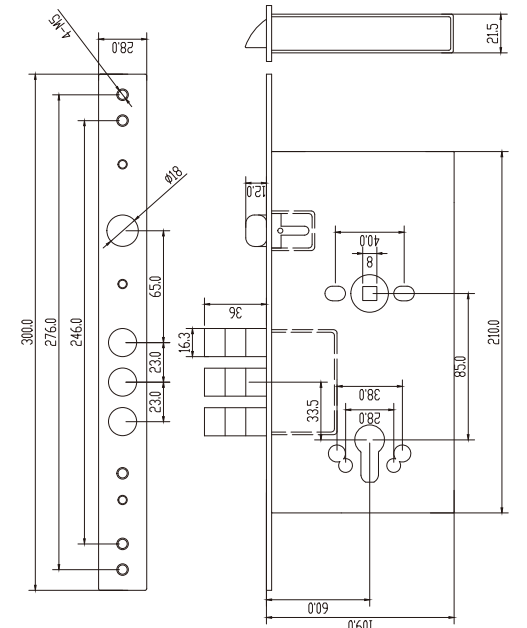
5572



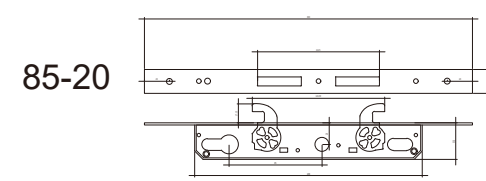
6072



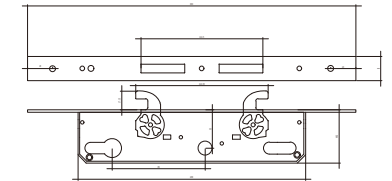
6068



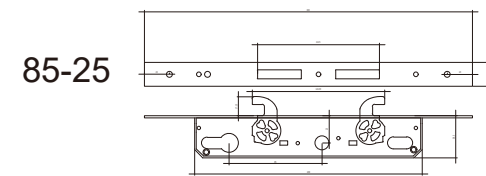
6085



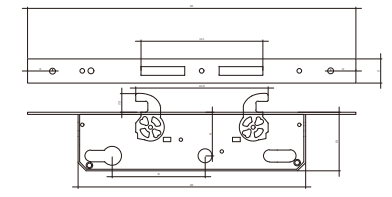
85-20



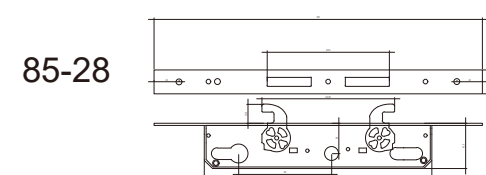
85-35



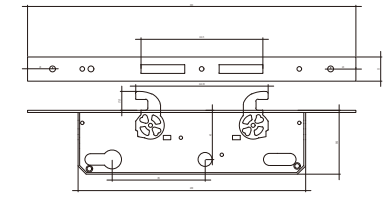
85-25



85-40

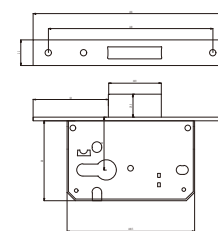


85-28

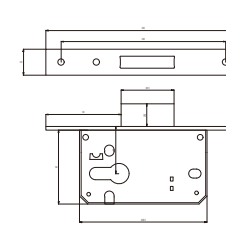


85-45

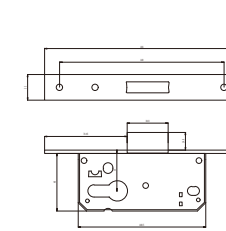
45单舌



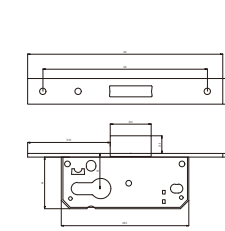
40单舌



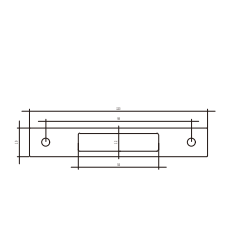
35单舌



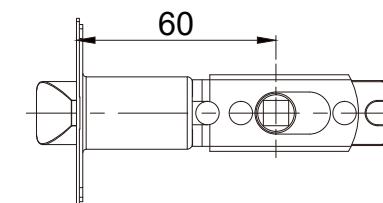
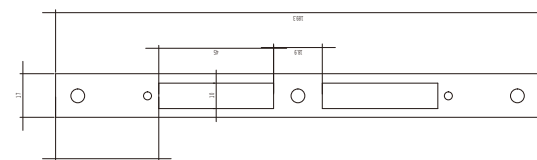
30单舌



单舌扣片



双钩扣片



Single Mortise DS