



 **E-SURF**
SPORT

HEAD OFFICE

1556 RUE JEAN-BERGMANS-
MICHAUD, DRUMMONDVILLE, QC
J2C 7V3

PHONE

877-613-7873

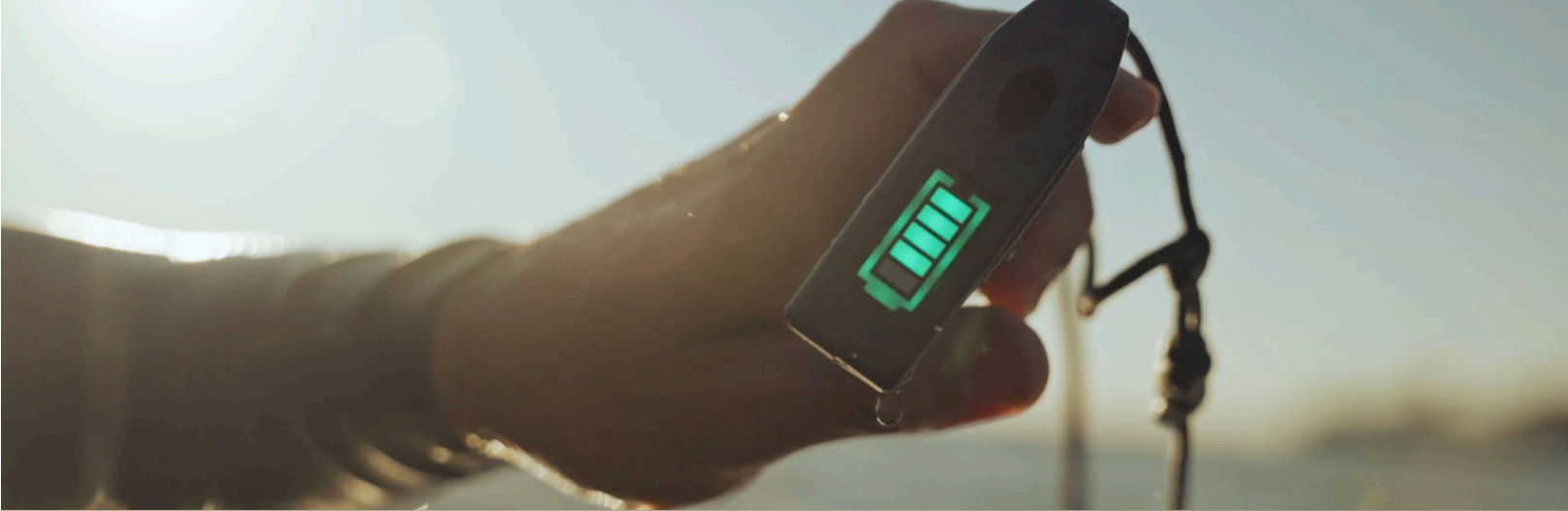




TABLE OF CONTENTS

E-SURF FAMILY

07

- OUR HISTORY
- OUR VALUES

OUR PRODUCTS

15

- EZY MODEL
- RACE X MODEL
- TESTIMONIALS

OUR EXPANSION

63

- OUR PARTNERS
- BECOME A DISTRIBUTOR

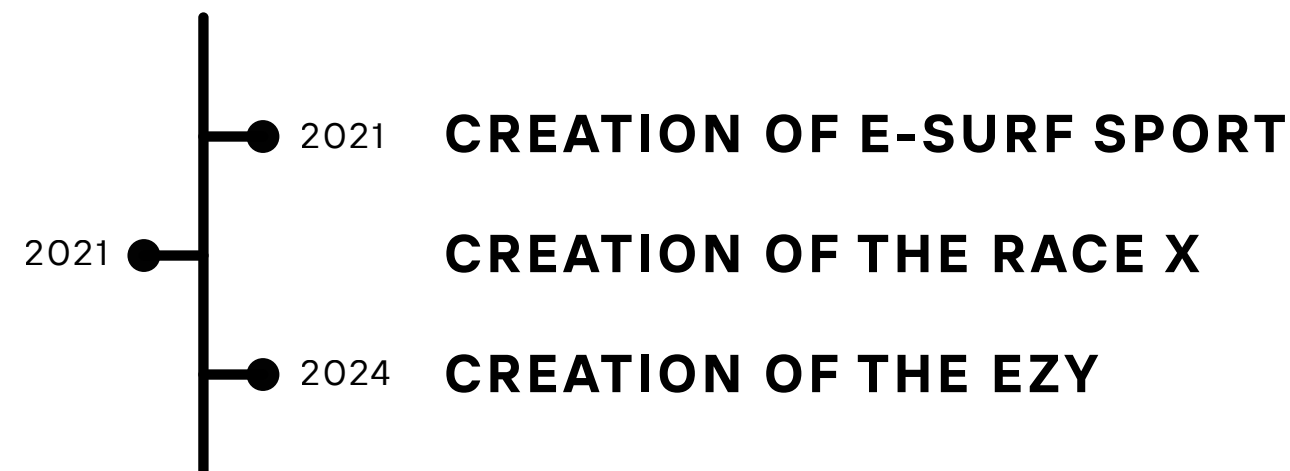




FAMILY



OUR STORY



Founded in Montreal and now located in Drummondville, e-surf is a company dedicated to **shared** the ultimate watersports experience for families.

The brand's growth across Canada in recent years demonstrates an insatiable pursuit of **innovation**, **accessibility**, and **efficiency**.



OUR VALUES



RELIABILITY



FAMILY



SPIRIT OF SHARING



INNOVATION

OUR PRODUCTS



2

years warranty

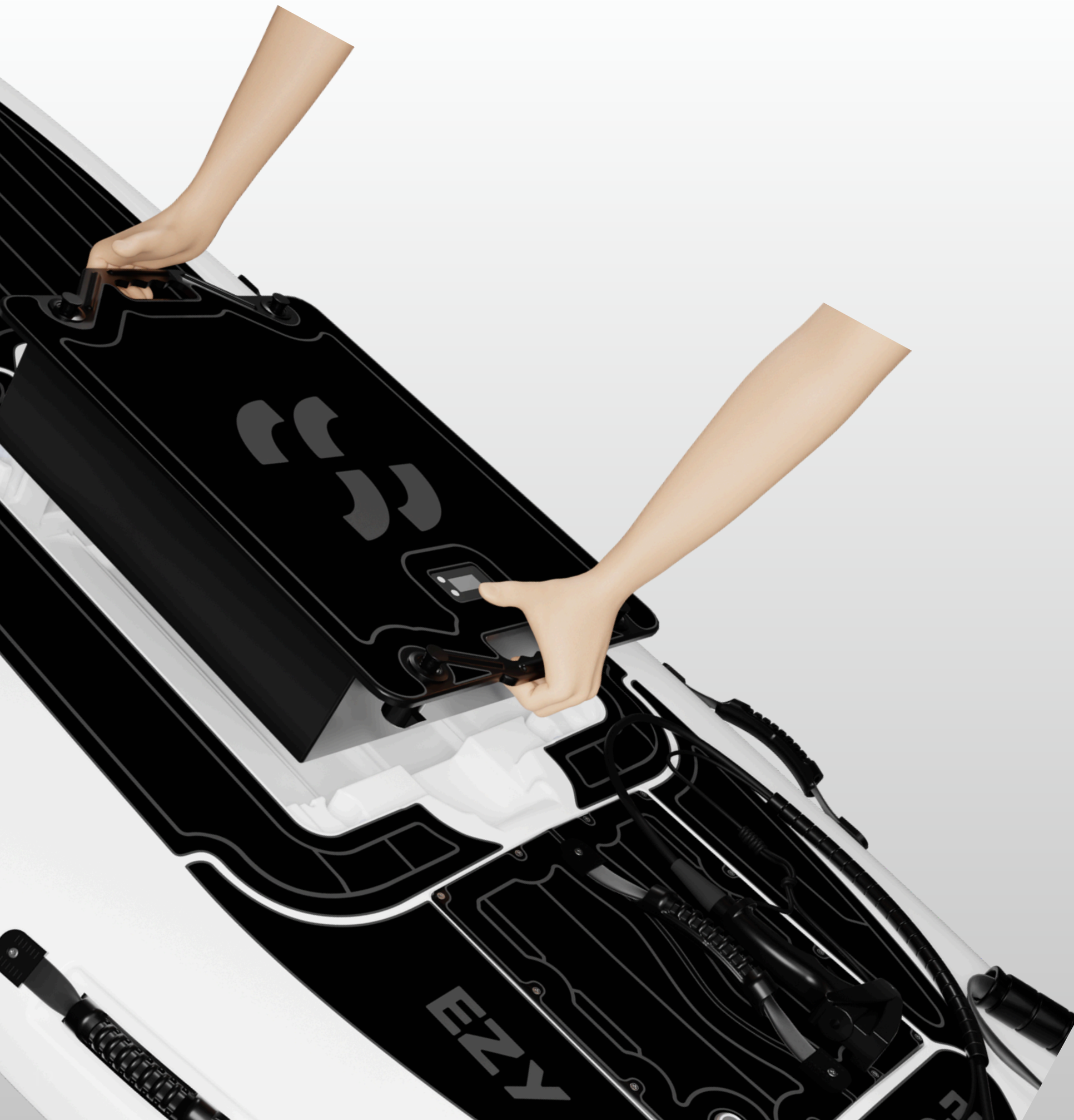


Made in Canada



US Coast Guard
Approved





INTERCHANGEABLE BATTERY

Our **swappable battery technology** makes removing and installing the battery quick and effortless, thanks to a secure one-click locking mechanism.

It lets you replace a depleted battery with a fully charged one and get back on the water right away.

This system makes the board **easy and accessible** for the whole family – from the youngest to the oldest, anyone can use it confidently.

Each battery is built with **premium-grade cells**, ensuring a lifespan of over 1,000 cycles.

The battery level indicator is conveniently displayed on top, allowing riders to check the charge status at a glance.

Charging is simple and intuitive: just connect the charger to a standard household outlet (110–120 V).

Our batteries are certified under UN 38.3 and UN 3480 standards for international safety compliance.

ENGINE CUT-OFF SWITCH SYSTEM (ECOS)

The power cut-off system is a sophisticated technology that **puts user safety at the heart of our concerns.** The security wristband connected to the controller connects and disconnects easily in the event of a fall in the water or an intentional disconnection.



The **nylon cable** connecting the handle to the board provides better stability and serves as a support point when gently pulling on it.



The **battery life appears on the controller**, so you'll always know the remaining time of the battery.



STORAGE SECTION

Our storage section is **specially designed to store safety items recommended for water sports**. You can also store personal items.

It is easily accessible since our board is designed with a **high level of flotation**. You can lie down, sit, kneel or stand and easily access the storage.

SAFE TURBINE

Our axial **water jet propulsion** is an innovation in the world of water sports, combining **efficiency, safety, and quiet operation**.

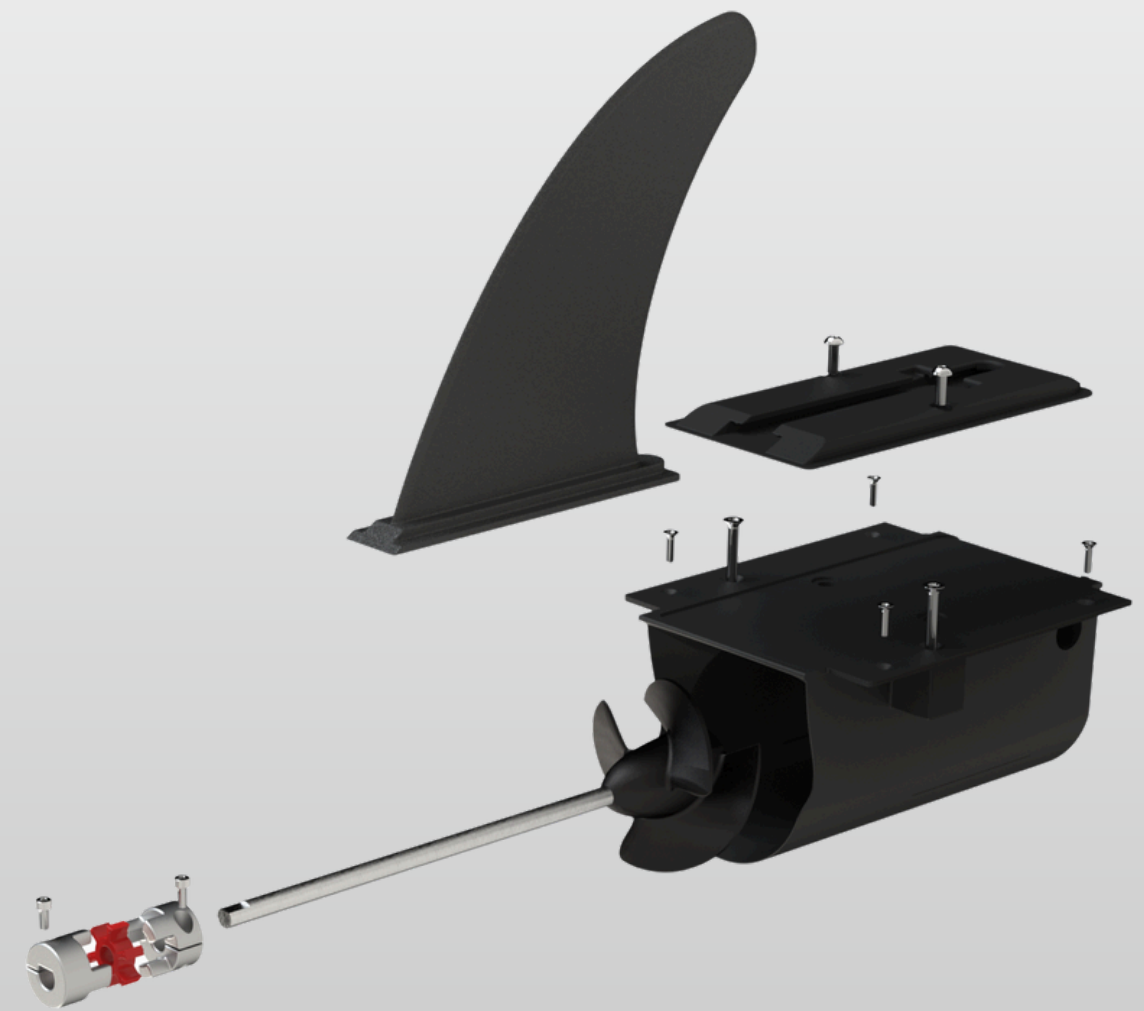
The jet propulsion system keeps the board **naturally stable** on the water, making it safer than foil-based technologies. With no sharp fins or exposed parts, it's perfectly suited for the whole family.

Furthermore, **the turbine doesn't emit harsh noise**, allowing you to have fun without disturbing your neighbors!



The turbine is fully integrated into the board, allowing for easy starts even in shallow water.

You can take off effortlessly in as little as two feet of water, just as easily as in the middle of the lake.



SPEED

Our board is equipped with a lockable mode for parental control. The goal is to allow the smallest to be able to use the board safely. The beginner/child mode goes to a maximum of **10 mph**. The user can also choose the standard mode which goes up to **20 mph** for the **EZY Standard**.

The **EZY Pro** has a similar system with a beginner lockable mode at **10 mph** as well as an standard mode of up to **26 mph**.

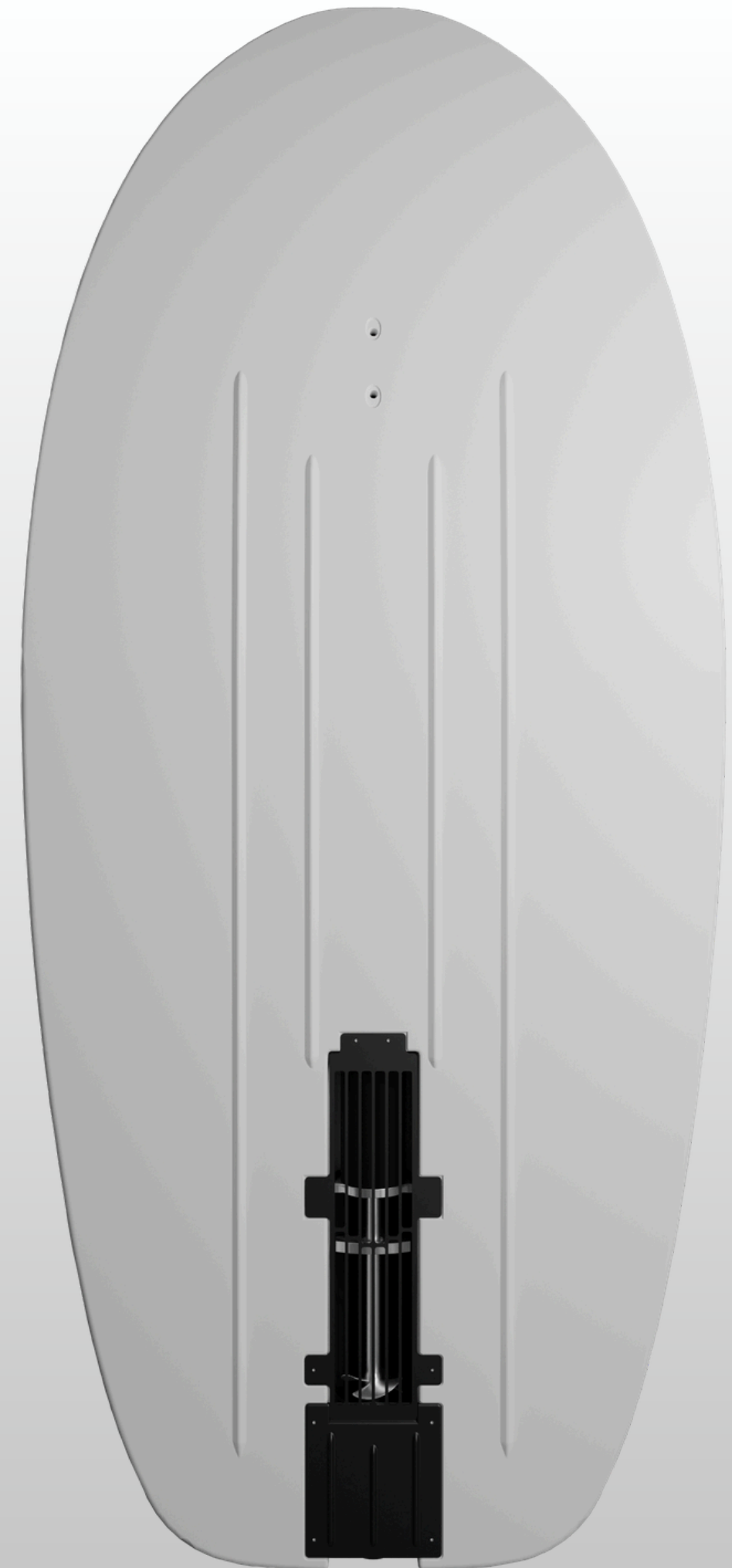


MATERIAL

Our board is made by **rotomolding**, a technology that forms a monocoque without a seal. A technology that reduces the risk of water inflow and adds increased durability,

HDPE (high density polyethylene) provides **excellent impact absorption** and is resistant to scratches, UV and salt water. It is the ideal material for a robust, tolerant and easy-care board.

With a volume of **155 L**, it offers a high lift which translates into excellent stability at standstill and during the start-up phases (waterstart). This leads to a higher level of safety in troubled water.





EZY MODEL

Price

\$7.999

- Rules differ by state; may require boating safety certificate
- Registration as a motorized vessel.
- USCG safety: wear a life jacket, carry a whistle, use ECOS.

TECHNICAL SPECIFICATIONS

Board

Turbine:	Water Jet - Axial jet propulsion
Motor:	5k watts
Speed:	Beginner – 10 mph Standard – 20 mph
Required Age:	Age & supervision depend on the state.
Board Weight:	200 cm x 90 cm - 60 lbs
Maximum Weight:	Maximum 225 lbs

Battery light

Lifespan:	Up to 60 minutes
Recharge Time:	2h with an 110V, 12A charger
Range:	32 AH 72 V
Power:	2,304 watts
Cells:	Cylindrical lithium-ion
Weight:	35 lbs

Warranty: Standard 2-year warranty

Materials: Rotomolded HDPE

Transport and Mobility: EZY models are equipped with removable wheels.

*Weight and speed affect lifespan

EZY

Price

\$7.900



E-SURF

EZY PRO MODEL

Price

\$ 9.900



- Rules differ by state; may require boating safety certificate
- Registration as a motorized vessel.
- USCG safety: wear a life jacket, carry a whistle, use ECOS.

TECHNICAL SPECIFICATIONS

Board

Turbine:	Water Jet - Axial jet propulsion
Motor:	7.5 k watts
Speed:	Intermediate – 10 mph Expert – 26 mph
Required Age:	Age & supervision depend on the state.
Board Weight:	200 cm x 90 cm - 60 lbs
Maximum Weight:	Maximum 300 lbs

Battery performance

Lifespan:	Up to 90 minutes
Recharge Time:	3h with an 110V, 14A charger
Range:	48 AH 72 V
Power:	3,456 watts
Cells:	Cylindrical lithium-ion
Weight:	49 lbs

Warranty: Standard 2-year warranty

Materials: Rotomolded HDPE

Transport and Mobility: EZY models are equipped with removable wheels.

*Weight and speed affect lifespan

EZY PRO

Price
\$9.900



E-SURF



Price

\$ 13.500

MODEL RACE X

- Rules differ by state; may require boating safety certificate
- Registration as a motorized vessel.
- USCG safety: wear a life jacket, carry a whistle, use ECOS.

TECHNICAL SPECIFICATIONS

Board

Turbine:	Water Jet- Axial jet propulsion
Motor:	12 k watts
Speed:	Expert – 35 mph
Required Age:	Age & supervision depend on the state.
Board Weight:	200 cm x 90 cm - 46 lbs
Maximum Weight:	Maximum 250 lbs

Battery

Lifespan:	35 to 55 minutes
Recharge Time:	3.5 hours with an 84V, 12A charger
Range:	58 AH 72 V
Power:	4,176 watts
Cells:	Cylindrical lithium-ion
Weight:	50 lbs

Warranty: Standard 2-year warranty

Materials: 100% carbon fiber

Transport and Mobility: The Race X model comes with a wheeled carrying bag for easy transport.

*Weight and speed affect lifespan

RACE

Price

\$ 13.500



X

E-SURF



TESTIMONIALS

Alexandre

The board has been well used and users give it a score of 10. Very good feeling, very efficient and all that, without disturbing others or polluting. In short, we are very happy with the purchase!



Stephane

A whole machine, reserve the EZY model for my wife!

Jasmine

Even my mother tried it. We are very happy with our purchase!



Sebastien

A real gem, I've done 102 rides with the board. It's going great, I wax my board every week.



OUR PARTNERS



TRY OUR



BOARDS!





BECOME A DISTRIBUTOR

Come see us!

1556 Rue Jean-Berchmans-Michaud
Drummondville, QC
J2C 7V3

Contact us!

877-613-7873

www.esurfsport.com

Stephanie

Hey, I don't know if you remember Oliver, he tried the e-surf at the Orillia boat show in June and we bought one that day.

He had the best summer ever and is already counting the day until he can get back out on his board.





E-SURF
SPORT

