



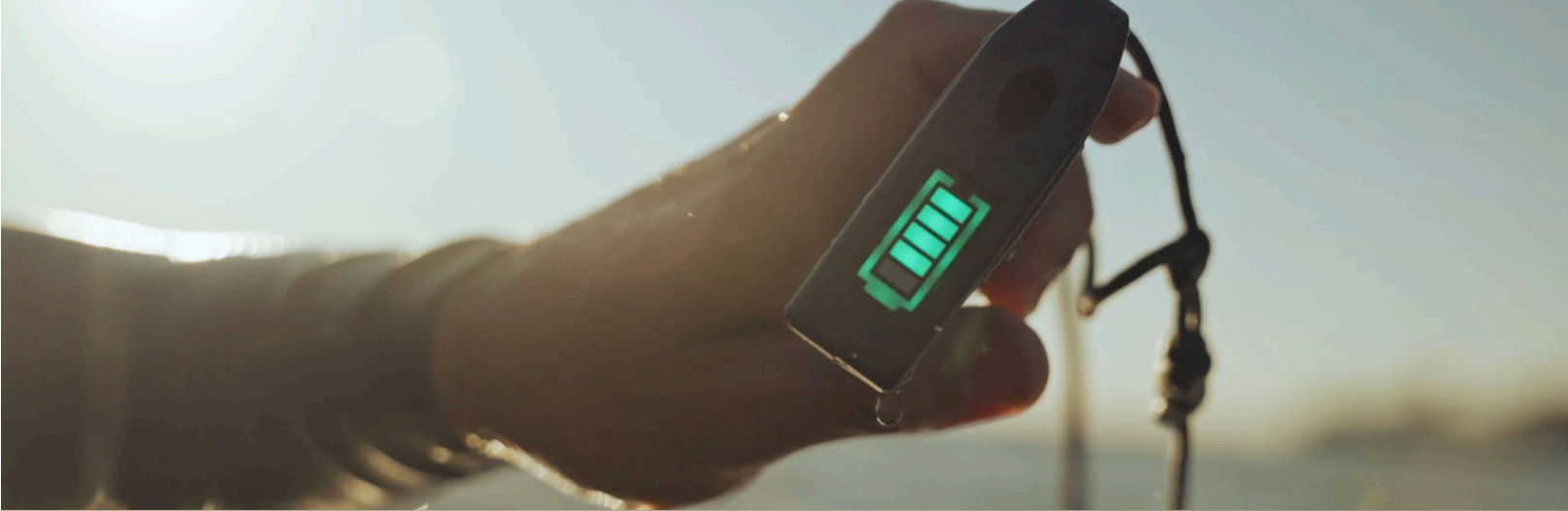
 **E-SURF**  
SPORT

**HEAD OFFICE**

1556 RUE JEAN-BERCHMANS-  
MICHAUD, DRUMMONDVILLE, QC  
J2C 7V3

**PHONE**

877-613-7873





# TABLE OF CONTENTS

## E-SURF FAMILY

07

- OUR HISTORY
- OUR VALUES

## OUR PRODUCTS

15

- EZY MODEL
- RACE X MODEL
- TESTIMONIALS

## OUR EXPANSION

45

- OUR PARTNERS
- BECOME A DISTRIBUTOR

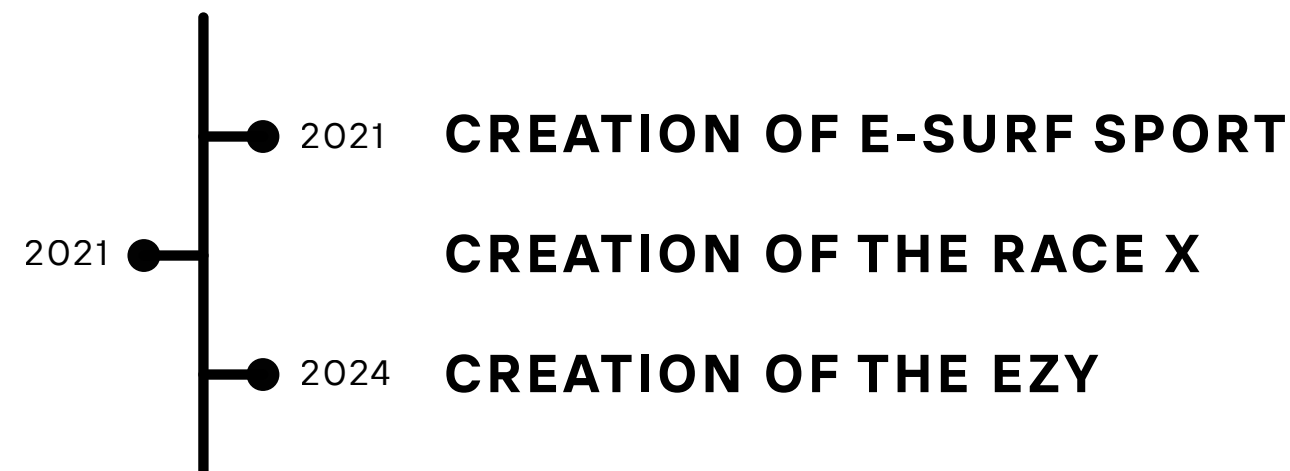




# FAMILY



# OUR STORY



**Founded in Montreal** and now located in Drummondville, e-surf is a company dedicated to **shared** the ultimate watersports experience for families.

The brand's growth across Canada in recent years demonstrates an insatiable pursuit of **innovation**, **accessibility**, and **efficiency**.



# OUR VALUES



LOCAL ROOTS



FAMILY



SPIRIT OF SHARING



INNOVATION

# OUR PRODUCTS



2

years warranty



Made in Canada



Registered manufacturer with  
Transport Canada





## INTERCHANGEABLE BATTERY

Our **swappable battery technology** makes removing and installing the battery quick and effortless, thanks to a secure one-click locking mechanism.

It lets you replace a depleted battery with a fully charged one and get back on the water right away.

This system makes the board **easy and accessible** for the whole family – from the youngest to the oldest, anyone can use it confidently.

Each battery is built with **premium-grade cells**, ensuring a lifespan of over 1,000 cycles.

The battery level indicator is conveniently displayed on top, allowing riders to check the charge status at a glance. Charging is simple and intuitive: just connect the charger to a standard household outlet (110–120 V).

Our batteries are certified under UN 38.3 and UN 3480 standards for international safety compliance.

## ENGINE CUT-OFF SWITCH SYSTEM (ECOS)

The power cut-off system is a sophisticated technology that **puts user safety at the heart of our concerns.** The security wristband connected to the controller connects and disconnects easily in the event of a fall in the water or an intentional disconnection.



The **nylon cable** connecting the handle to the board provides better stability and serves as a support point when gently pulling on it.



**The battery life appears on the controller,** so you'll always know the remaining time of the battery.



## STORAGE SECTION

Our storage section is **specially designed to store safety items recommended for water sports**. You can also store personal items.

It is easily accessible since our board is designed with a **high level of flotation**. You can lie down, sit, kneel or stand and easily access the storage.

## SAFE TURBINE

Our axial **water jet propulsion** is an innovation in the world of water sports, combining **efficiency, safety, and quiet operation**.

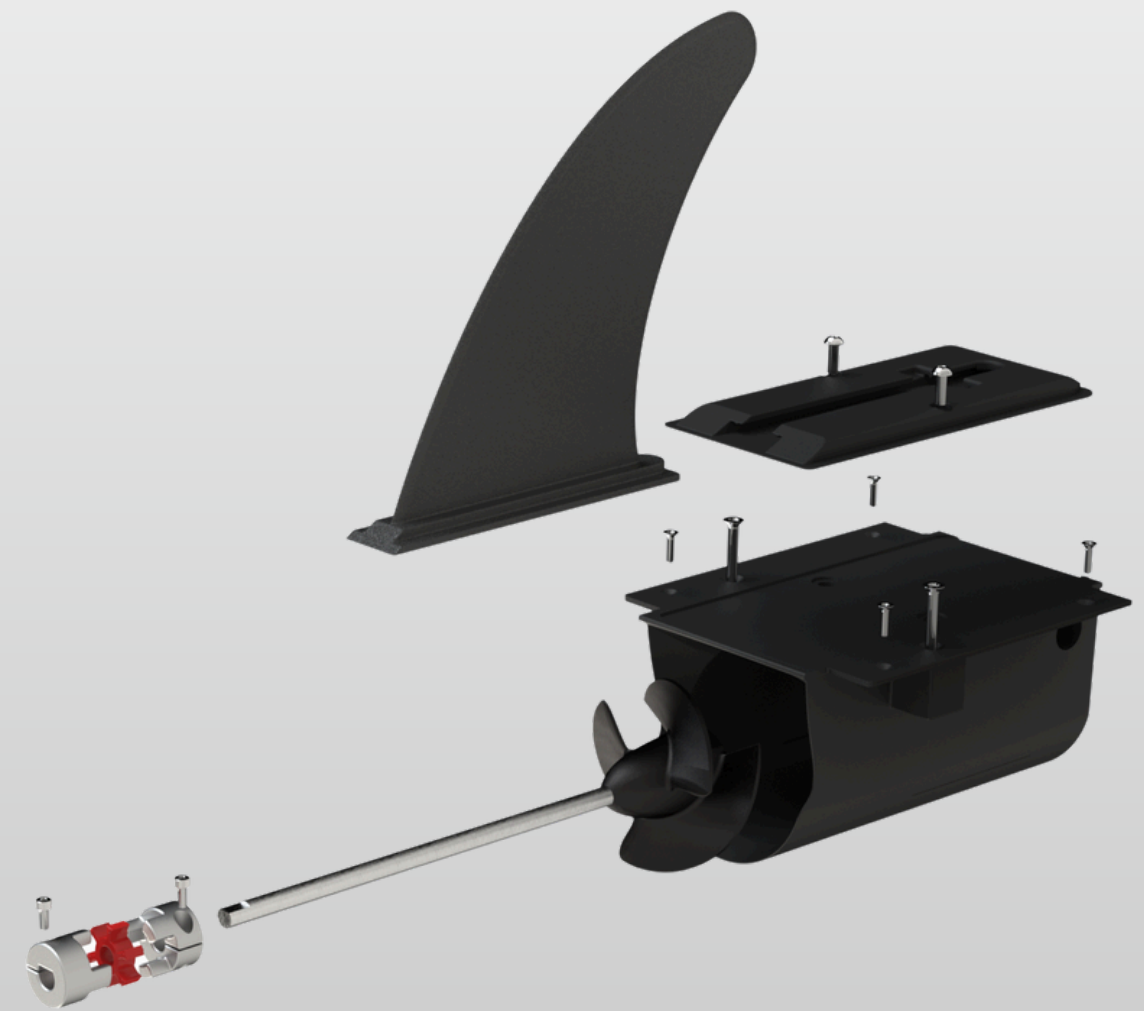
The jet propulsion system keeps the board **naturally stable** on the water, making it safer than foil-based technologies. With no sharp fins or exposed parts, it's perfectly suited for the whole family.

Furthermore, **the turbine doesn't emit harsh noise**, allowing you to have fun without disturbing your neighbors!



The turbine is fully integrated into the board, allowing for easy starts even in shallow water.

You can take off effortlessly in as little as two feet of water, just as easily as in the middle of the lake.



## SPEED

Our board is equipped with a lockable mode for parental control. The goal is to allow the smallest to be able to use the board safely. The beginner mode goes to a maximum of **15km/h**. The user can also choose the standard mode which goes up to **30 km/h** for the **EZY Standard**.

The **EZY Pro** has a similar system with a beginner lockable mode at **15 km/h** as well as an standard mode of up to **40 km/h**.

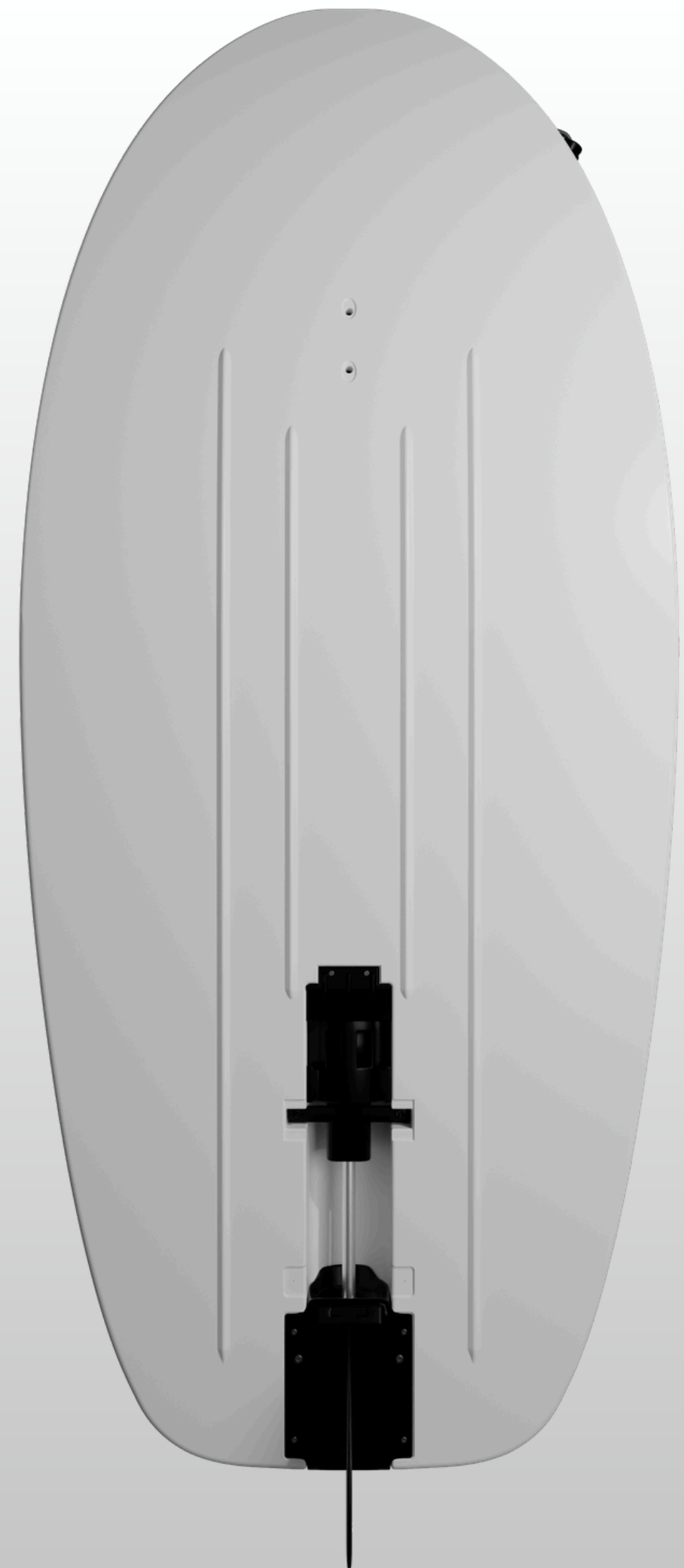


## MATERIAL

Our board is made by rotomolding, a technology that forms a **monocoque** without a seal. A technology that reduces the risk of water inflow and adds increased durability,

HDPE (high density polyethylene) provides **excellent impact absorption** and is resistant to scratches, UV and salt water. It is the ideal material for a robust, tolerant and easy-care board.

With a **volume of 155 L**, it offers a high lift which translates into excellent stability at standstill and during the start-up phases (waterstart). This leads to a higher level of safety in troubled water.





# EZY MODEL

Price  

---

\$7.900

## TECHNICAL SPECIFICATIONS

### Board

|                 |  |
|-----------------|--|
| Turbine:        | Water Jet - Axial jet propulsion         |
| Motor:          | 5k watts                                 |
| Speed:          | Beginner – 15 km/h<br>Standard – 30 km/h |
| Required Age:   | 8 years and PCOC required                |
| Board Weight:   | 6,6 ft x 3 ft - 60 lbs                   |
| Maximum Weight: | Maximum 225 lbs                          |

### Battery Light

|                |                              |
|----------------|------------------------------|
| Lifespan:      | Up to 60 minutes*            |
| Recharge Time: | 2h with an 110V, 12A charger |
| Range:         | 32 AH 72 V                   |
| Power:         | 2,304 watts                  |
| Cells:         | Cylindrical lithium-ion      |
| Weight:        | 35 lbs                       |

**Warranty:** Standard 2-year warranty

**Materials:** Rotomolded HDPE

**Transport and Mobility:** EZY models are equipped with removable wheels.

\*Weight and speed affect lifespan

# EZY

Price  
\$7.900



**E-SURF**

# EZY PRO MODEL

Price  

---

\$9.900



## TECHNICAL SPECIFICATIONS

### Board

|                 |  |
|-----------------|--|
| Turbine:        | Water Jet - Axial jet propulsion         |
| Motor:          | 7.5 k watts                              |
| Speed:          | Beginner – 15 km/h<br>Standard – 40 km/h |
| Required Age:   | 8 years and PCOC required                |
| Board Weight:   | 6,6 ft x 3 ft - 60 lbs                   |
| Maximum Weight: | Maximum 300 lbs                          |

### Battery

|                |                              |
|----------------|------------------------------|
| Lifespan:      | Up to 90 minutes*            |
| Recharge Time: | 3h with an 110V, 14A charger |
| Range:         | 48 AH 72 V                   |
| Power:         | 3,456 watts                  |
| Cells:         | Cylindrical lithium-ion      |
| Weight:        | 49 lbs                       |

**Warranty:** Standard 2-year warranty

**Materials:** Rotomolded HDPE

**Transport and Mobility:** EZY models are equipped with removable wheels.

\*Weight and speed affect lifespan

# EZY PRO

Price  
\$9.900



**E-SURF**

# MODEL RACE X

Price  
\$13,500

## TECHNICAL SPECIFICATIONS

### Board

|                 |                                 |
|-----------------|---------------------------------|
| Turbine:        | Water Jet- Axial jet propulsion |
| Motor:          | 12 k watts                      |
| Speed:          | Expert – 55 km/h                |
| Required Age:   | 16 years old and PCOC required  |
| Board Weight:   | 6,6 ft x 3 ft - 46 lbs          |
| Maximum Weight: | Maximum 250 lbs                 |

### Battery

|                |                                    |
|----------------|------------------------------------|
| Lifespan:      | 35 to 55 minutes*                  |
| Recharge Time: | 3.5 hours with an 84V, 12A charger |
| Range:         | 58 AH 72 V                         |
| Power:         | 4,176 watts                        |
| Cells:         | Cylindrical lithium-ion            |
| Weight:        | 50 lbs                             |

**Warranty:** Standard 2-year warranty

**Materials:** 100% carbon fiber

**Transport and Mobility:** The Race X model comes with a wheeled carrying bag for easy transport.

\*Weight and speed affect lifespan

# RACE

Price  
\$13,500



# X

E-SURF



## TESTIMONIALS

### Alexandre

*The board has been well used and users give it a score of 10. Very good feeling, very efficient and all that, without disturbing others or polluting. In short, we are very happy with the purchase!*



### Stephane

*A whole machine, reserve the EZY model for my wife!*

### Jasmine

*Even my mother tried it. We are very happy with our purchase!*



### Sebastien

*A real gem, I've done 102 rides with the board. It's going great, I wax my board every week.*



# OUR PARTNERS



**TRY OUR**



**BOARDS!**





# BECOME A DISTRIBUTOR

Come see us!

1556 Rue Jean-Berchmans-Michaud  
Drummondville, QC  
J2C 7V3

Contact us!

877-613-7873

[www.esurfsport.com](http://www.esurfsport.com)

## Stephanie

*Hey, I don't know if you remember Oliver, he tried the e-surf at the Orillia boat show in June and we bought one that day.*

*He had the best summer ever and is already counting the day until he can get back out on his board.*





**E-SURF**  
SPORT

