

Dear Parents,

Welcome to First Grade!! I am so excited to have your child in my class this fall. Over the summer, I want your child to have lots of fun and enjoy family time.

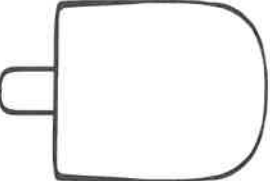
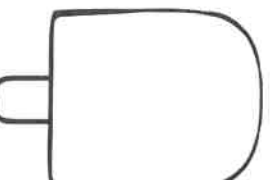



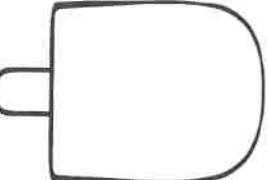
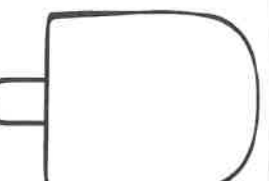


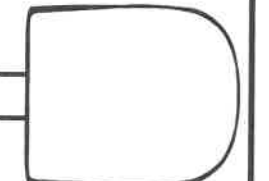
It is important not to forget the academic skills from Kindergarten. I have included a few review sheets for your child to complete. Please have your child return them the first week of school.

Next year is going to be a great year!

Mrs. Lisachenko

ADDITION WITHIN 5

Find the sum!

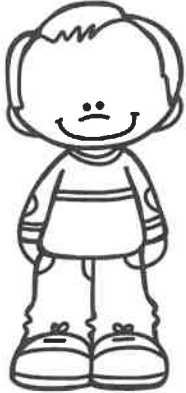
$\begin{array}{r} 0 \\ + 1 \\ \hline \end{array}$ 	$\begin{array}{r} 2 \\ + 3 \\ \hline \end{array}$ 	$\begin{array}{r} 2 \\ + 0 \\ \hline \end{array}$ 	$\begin{array}{r} 0 \\ + 5 \\ \hline \end{array}$ 	$\begin{array}{r} 2 \\ + 2 \\ \hline \end{array}$ 
$\begin{array}{r} 4 \\ + 1 \\ \hline \end{array}$ 	$\begin{array}{r} 0 \\ + 3 \\ \hline \end{array}$ 	$\begin{array}{r} 1 \\ + 2 \\ \hline \end{array}$ 	$\begin{array}{r} 0 \\ + 2 \\ \hline \end{array}$ 	$\begin{array}{r} 1 \\ + 3 \\ \hline \end{array}$ 

Name _____

My Book Report

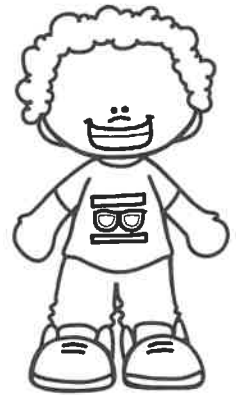
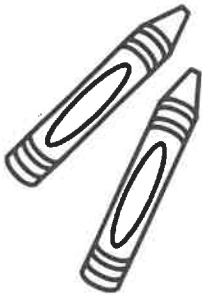


Title: 



Author: 

Did you like this book?



Draw your favorite part of the story.

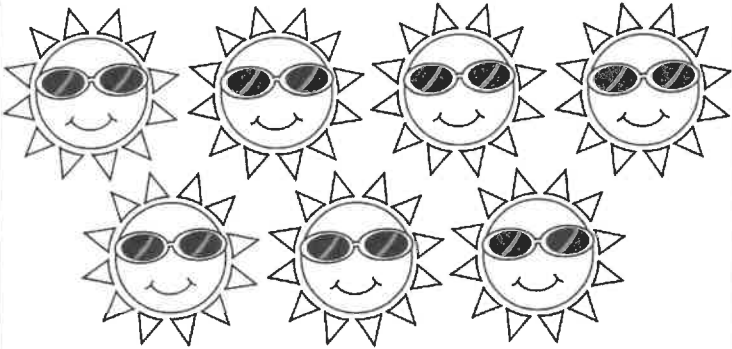


Name _____

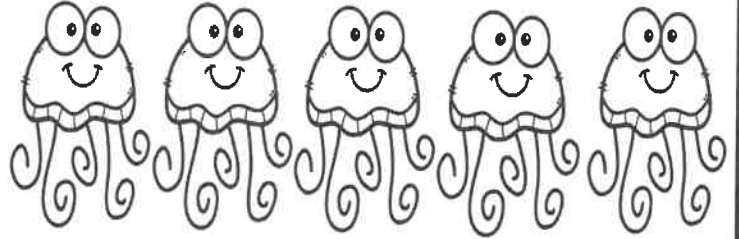
SUMMER

Subtraction to 10

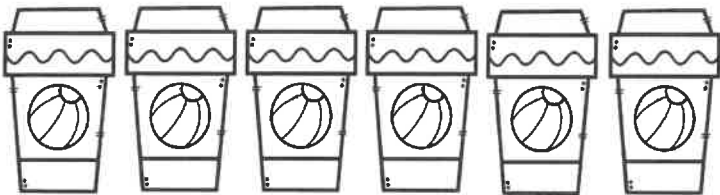
Directions: Read the math sentence. Cross out pictures to solve.
Write the answer on the line.



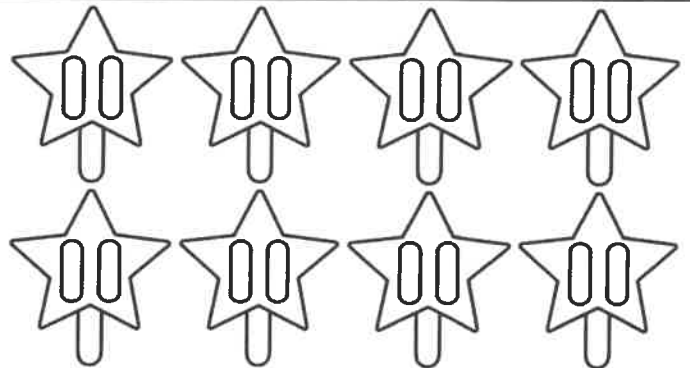
$$7 - 3 = \underline{\quad}$$



$$5 - 2 = \underline{\quad}$$



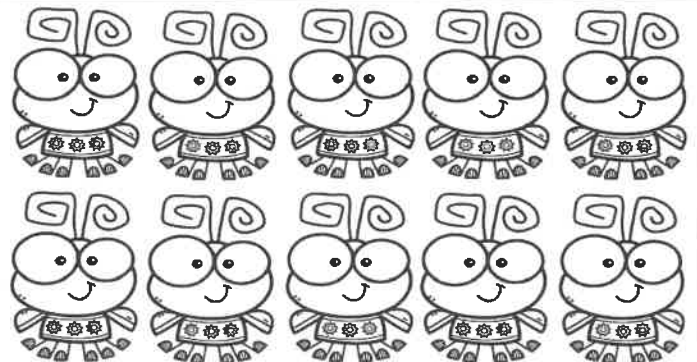
$$6 - 4 = \underline{\quad}$$



$$8 - 5 = \underline{\quad}$$



$$4 - 2 = \underline{\quad}$$

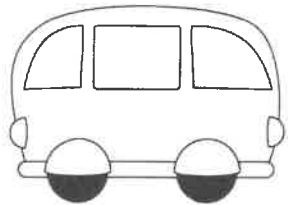


$$10 - 5 = \underline{\quad}$$

Name _____

Complete the sentence

Directions: Color the word that complete the sentence.

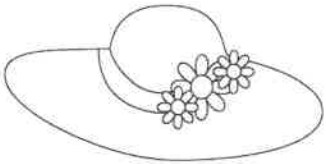


The man drives the _____.

can

pan

van



Mom wears a red _____.

pat

hat

vat



The _____ ran into the tunnel.

sat

rat

fat

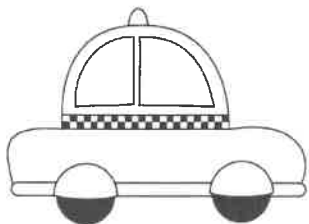


The lid of the ___ is tight.

car

jar

bar



We took a _____ to the airport.

cab

dab

tab