

# High Capacity Telehandlers

P120.10EE

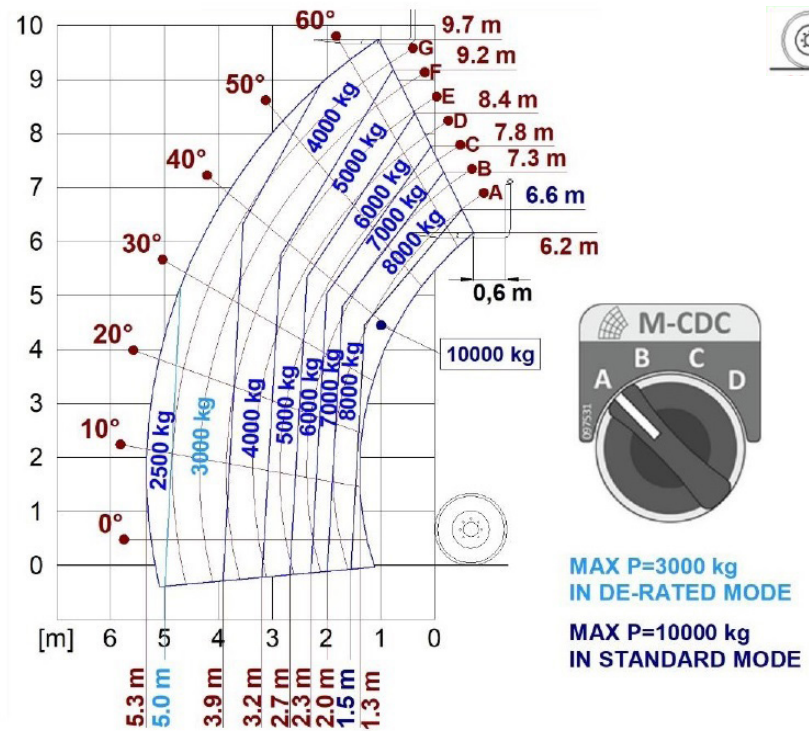




PERFORMANCE AND FEATURES	P120.10EE		
<b>Performance</b>			
Total unladen weight (kg)	16200		
Maximum capacity (kg)	10000		
Lifting height (m)	9.8		
Maximum reach (m)	5.3		
Maximum operating height (m)	6.9		
Maximum operating reach (m)	1.3		
Capacity at maximum height (kg)	7000		
Capacity at maximum reach (kg)	2900		
Lateral boom movement (mm)	± 185		
Tilting correction (%)	± 8		
Boom sections	2		
<b>PowerTrain</b>			
Turbo motor	FPT NEF45		
Displacement/cylinders	4500/4		
Engine Power (kW/HP)	125/170		
Anti-pollution technology	TIER 2		
Reversible fan	-		
Maximum speed (km/h)	40		
Fuel tank (l)	150		
AdBlue tank (l)	-		
Hydrostatic transmission	CVTronic		
EPD	Plus		
Auto-revving joystick	●		
Axles - Reducers	Axial, Epicyclic		
Machine brakes	Wet disc		
Automatic parking brake	●		
<b>Hydraulic</b>			
Hydraulic pump	LS + FS		
Flow rate/pressure (l/min - bar)	119 - 210		
Hydraulic tank	149		
Hydraulic outlet at the top of the boom	●		
Rear hydraulic outlets	○		
<b>Cab</b>			
Cab configuration	Premium		
ASCS Adaptive Stability Control System	Full		
FOPS LIV II cab	●		
ROPS cab	●		
Cab commands	Electronic joystick		
Tilting Cab	-		
Reverse shuttle	Dual reverse		
<b>Configuration</b>			
Cab suspension	-		
Boom suspension	-		
Suspension on axles	-		
Work headlights on cab	●		
Sun blind	●		
Tac-lock	●		
Provision for a platform	○		
Two floating forks	●		
Inching-Control	●		
Four-wheel drive	●		
Four-wheel steering	●		
Three steering modes	●		
Standard tyres	17.5-25"		
Optional tyres	-		
Stabilisers	-		
Turret rotation	-		
Type approval as an agricultural tractor	-		
Approval with PNEUMATIC braking	-		
Approval with HYDRAULIC braking	-		
PTO	-		
3-point linkage	-		

- Not Available  
● Standard  
○ Optional

## Load charts

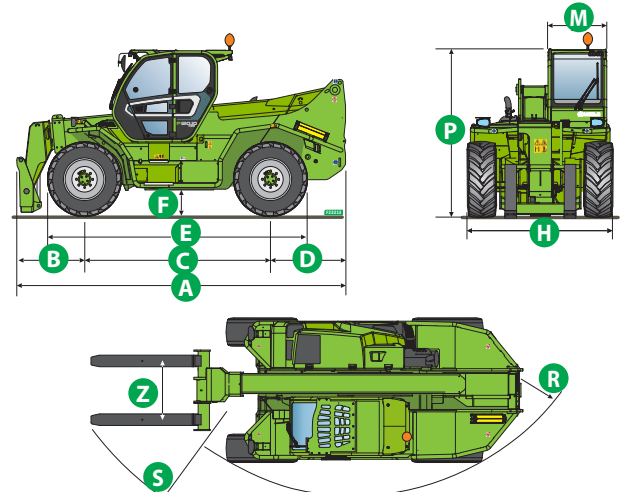


**P120.10EE**

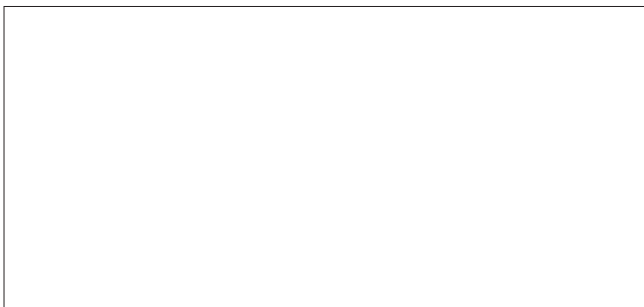
## Dimensions



	P120.10 EE		
A (mm)	5770		
B (mm)	1145		
C (mm)	3290		
D (mm)	1335		
E (mm)	5260		
F (mm)	450		
H (mm)	2520		
M (mm)	1010		
P (mm)	2850		
R (mm)	4300		
S (mm)	5700		
Z (mm)	635/1170		



**Your Merlo dealer**



**P120.10EE:**

MA00949 - VIN: D2003660 - SAV: D226571 - 30/06/2022

**MERLO GROUP AUSTRALIA PTY LTD**

27 Colin Jamieson Dve, Welshpool (Perth), WA 6106

Tel. (08) 9358 3110 - Fax (08) 9358 4110

120 Toongabbie Road, Girraween, NSW 2145

Tel. (02) 9688 0600

Tel:1300 657 325

[info@merloaustralia.com.au](mailto:info@merloaustralia.com.au)

[www.merlo.com](http://www.merlo.com)

