

Available sizes MA12

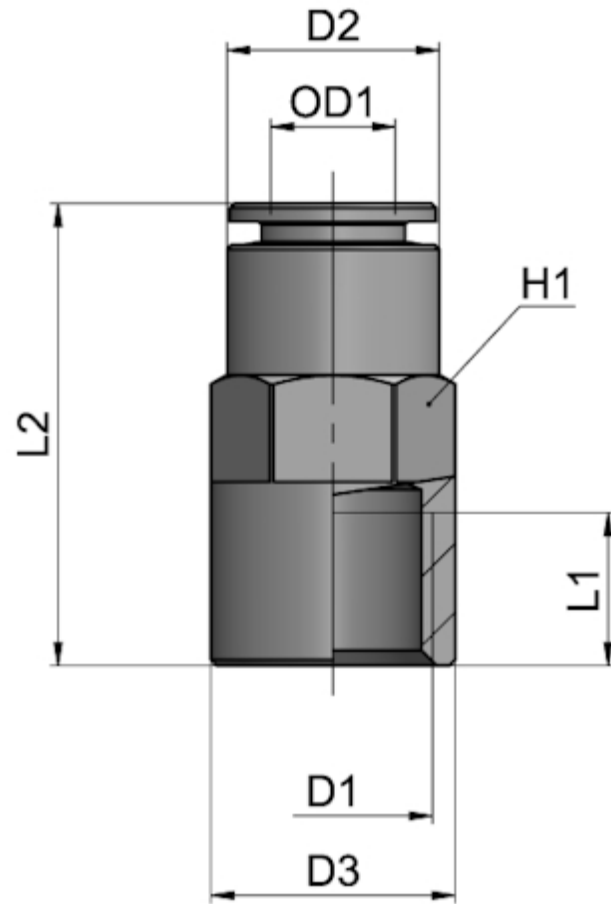
CAD	TYPE	CODE	OD1	D1	D2	D2 (in)	D3	D3 (in)	L1	L1 (in)	L2	L2 (in)	H1	H2
	MA12 03 M3	A0020A00	3	M3x0,5	6,5	.256	5,6	.220	3	.118	15,5	.610	-	1,5

CAD	TYPE	CODE	OD1	D1	D2	D2 (in)	D3	D3 (in)	L1	L1 (in)	L2	L2 (in)	H1	H2
	MA12 03 M5	A0020000	3	M5x0,8	6,5	.256	7	.275	4	.157	15,8	.622	-	2
	MA12 04 M5	A0020010	4	M5x0,8	9	.354	8	.315	4	.157	19	.748	-	2,5
	MA12 04 M6	A0020110	4	M6x1	9	.354	9	.354	4,5	.177	19,5	.768	-	3
	MA12 04 M7	A0020H10	4	M7x1	9	.354	9	.354	5	.197	20	.787	-	3
	MA12 04 18	A0020011	4	G1/8	9	.354	13	.512	5	.197	16,5	.650	9	3
	MA12 04 14	A0020012	4	G1/4	9	.354	16	.630	6,5	.256	18,5	.728	9	3
	MA12 06 M5	A0020030	6	M5x0,8	12	.472	8	.315	4	.157	22,2	.874	-	2,5
	MA12 06 M6	A0020130	6	M6x1	12	.472	9	.354	4,5	.177	22,8	.898	-	3

CAD	TYPE	CODE	OD1	D1	D2	D2 (in)	D3	D3 (in)	L1	L1 (in)	L2	L2 (in)	H1	H2
	MA12 06 M7	A0020H30	6	M7x1	12	.472	9,1	.358	5	.197	23	.906	-	3
	MA12 06 M12x1,25	A0020330	6	M12x1,25	11,9	.469	15	.591	6,5	.256	21	.827	12	4
	MA12 06 M12x1,5	A0020430	6	M12x1,5	11,9	.469	15	.591	6,5	.256	21	.827	12	4
	MA12 06 18	A0020031	6	G1/8	11,9	.469	13,5	.531	5	.197	19,5	.768	12	4
	MA12 06 14	A0020032	6	G1/4	11,9	.469	16	.630	6,5	.256	19,5	.768	12	4
	MA12 06 38	A0020033	6	G3/8	11,9	.469	20	.787	7	.276	20,5	.807	12	4
	MA12 06 12	A0020034	6	G1/2	11,9	.469	25	.984	8,5	.335	22,5	.886	12	4
	MA12 08 18	A0020041	8	G1/8	13,9	.547	14,5	.571	5	.197	23,5	.925	13	6

CAD	TYPE	CODE	OD1	D1	D2	D2 (in)	D3	D3 (in)	L1	L1 (in)	L2	L2 (in)	H1	H2
	MA12 08 14	A0020042	8	G1/4	13,9	.547	16	.630	6,5	.256	21,5	.846	14	6
	MA12 08 38	A0020043	8	G3/8	13,9	.547	20	.787	7	.276	21	.827	14	6
	MA12 08 12	A0020044	8	G1/2	13,9	.547	25	.984	8,5	.335	23	.906	14	6
	MA12 10 18	A0020051	10	G1/8	15,9	.626	13	.512	5	.197	26,5	1.043	15	8
	MA12 10 14	A0020052	10	G1/4	15,9	.626	16,5	.650	6,5	.256	27,5	1.083	15	8
	MA12 10 38	A0020053	10	G3/8	15,9	.626	20	.787	7	.276	25	.984	16	8
	MA12 10 12	A0020054	10	G1/2	15,9	.626	25	.984	8,5	.335	25,5	1.004	16	8
	MA12 12 14	A0020062	12	G1/4	18,9	.744	21	.827	6,5	.256	28,5	1.122	19	8

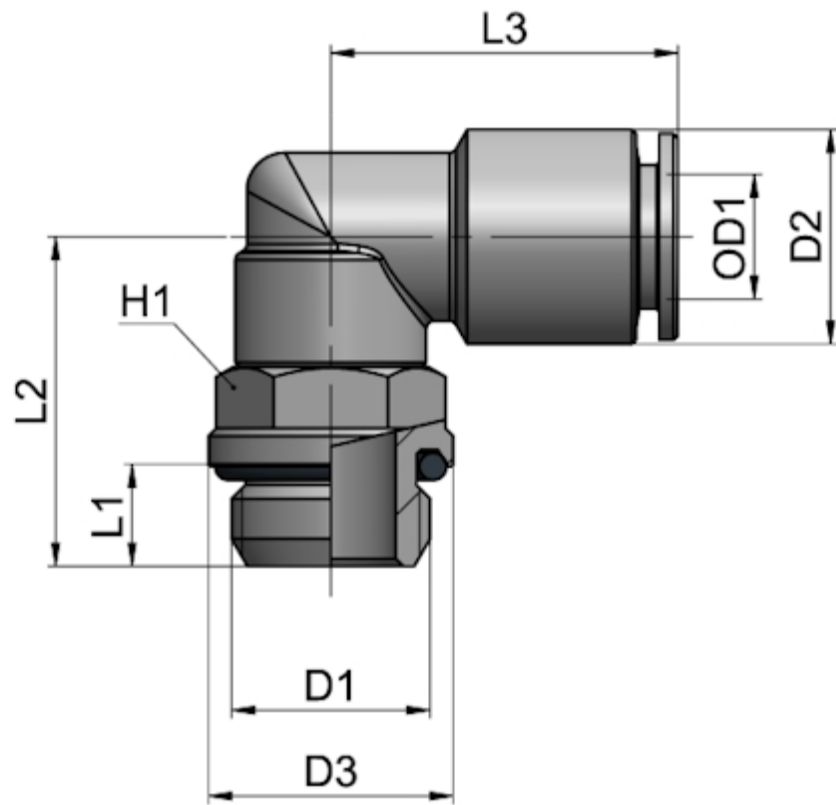
CAD	TYPE	CODE	OD1	D1	D2	D2 (in)	D3	D3 (in)	L1	L1 (in)	L2	L2 (in)	H1	H2
	MA12 12 38	A0020063	12	G3/8	18,9	.744	21	.827	7	.276	28,5	1.122	19	10
	MA12 12 12	A0020064	12	G1/2	18,9	.744	25	.984	8,5	.335	26,5	1.043	19	10
	MA12 14 38	A0020073	14	G3/8	21,9	.862	25	.984	7	.276	32	1.260	22	10
	MA12 14 12	A0020074	14	G1/2	21,9	.862	25	.984	8,5	.335	32	1.260	22	12
	MA12 16 12	A0020094	16	G1/2	23,7	.933	28	1.102	8,5	.335	34,5	1.358	25	13
	MA12 16 34	A0020095	16	G3/4	23,7	.933	32	1.260	9,5	.374	32	1.260	24	13



Available sizes MA13

CAD	TYPE	CODE	OD1	D1	D2	D2 (in)	D3	D3 (in)	L1	L1 (in)	L2	L2 (in)	H1
	MA13 04 18	A0030011	4	G1/8	9	.354	13	.512	7	.276	23,5	.925	9
	MA13 06 18	A0030031	6	G1/8	11,9	.469	14	.551	7	.276	26	1.024	12
	MA13 06 14	A0030032	6	G1/4	11,9	.469	16	.630	10	.394	30	1.181	12
	MA13 08 18	A0030041	8	G1/8	13,7	.539	16,2	.638	7	.276	26	1.024	14
	MA13 08 14	A0030042	8	G1/4	13,9	.547	16	.630	10	.394	30	1.181	14
	MA13 08 38	A0030043	8	G3/8	13,9	.547	20	.787	11	.433	31	1.220	14
	MA13 10 14	A0030052	10	G1/4	15,9	.626	18,5	.728	10	.394	32	1.260	16
	MA13 10 38	A0030053	10	G3/8	15,9	.626	20	.787	11	.433	33,5	1.319	16

CAD	TYPE	CODE	OD1	D1	D2	D2 (in)	D3	D3 (in)	L1	L1 (in)	L2	L2 (in)	H1
	MA13 10 12	A0030054	10	G1/2	15,9	.626	25	.984	11	.433	36,5	1.437	16
	MA13 12 38	A0030063	12	G3/8	19	.748	23,1	.909	11	.433	34	1.339	20
	MA13 12 12	A0030064	12	G1/2	18,8	.740	25	.984	11	.433	37	1.457	19



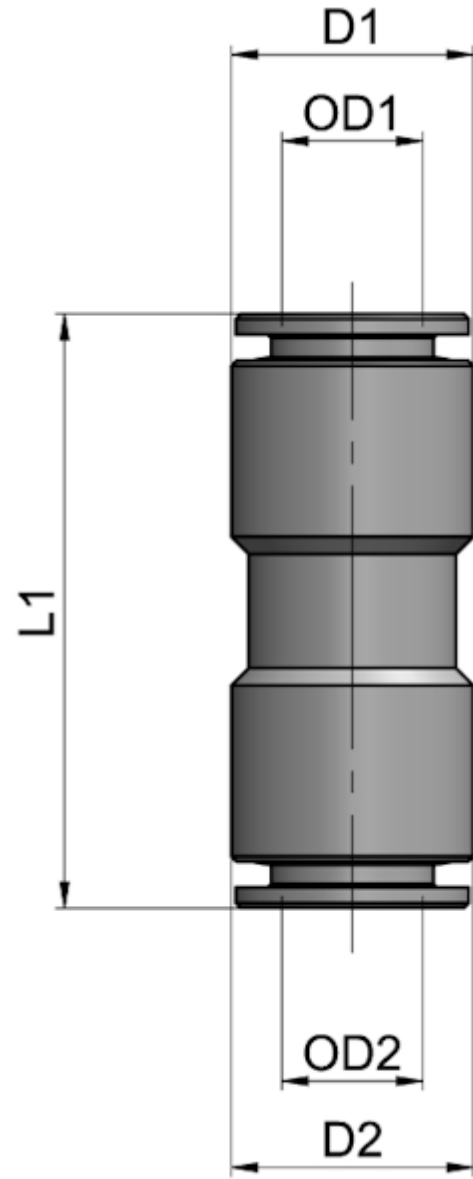
Available sizes MA16

CA D	TYPE	CODE	OD 1	D1	D2	D2 (in)	D3	D3 (in)	L1	L1 (in)	L2	L2 (in)	L3	L3 (in)	H 1
	MA16 03 M3	A0060A0 0	3	M3x0,5	7	.276	7,9	.311	3	.118	13, 2	.520	14	.551	7
	MA16 03 M5	A006000 0	3	M5x0,8	7	.276	7,9	.311	4	.157	13, 7	.539	14	.551	7
	MA16 04 M5	A006001 0	4	M5x0,8	9, 1	.358	10	.394	4	.157	14	.551	17, 5	.689	9
	MA16 04 M6	A006011 0	4	M6x1	9, 1	.358	10	.394	4, 5	.177	14, 5	.571	17, 5	.689	9
	MA16 04 18	A006001 1	4	G1/8	9, 1	.358	14, 5	.571	5	.197	18, 2	.717	19, 5	.768	13
	MA16 04 14	A006001 2	4	G1/4	9, 1	.358	16	.630	6, 5	.256	21, 7	.854	19, 5	.768	13
	MA16 06 M5	A006003 0	6	M5x0,8	12	.472	10	.394	4	.157	14	.551	20, 5	.807	9
	MA16 06 M6	A006013 0	6	M6x1	12	.472	10	.394	4, 5	.177	14, 5	.571	20, 5	.807	9

CA D	TYPE	CODE	OD 1	D1	D2	D2 (in)	D3	D3 (in)	L1	L1 (in)	L2	L2 (in)	L3	L3 (in)	H 1
	MA16 06 M12x1,25	A006033 0	6	M12x1,2 5	12	.472	15	.591	6, 5	.256	21, 7	.854	22	.866	13
	MA16 06 M12x1,5	A006043 0	6	M12x1,5	12	.472	15	.591	6, 5	.256	21, 7	.854	22	.866	13
	MA16 06 18	A006003 1	6	G1/8	12	.472	14, 5	.571	5	.197	18, 2	.717	22	.866	13
	MA16 06 14	A006003 2	6	G1/4	12	.472	16	.630	6, 5	.256	21, 7	.854	22	.866	13
	MA16 06 38	A006003 3	6	G3/8	12	.472	20	.787	7	.276	22, 2	.874	22	.866	13
	MA16 06 12	A006003 4	6	G1/2	12	.472	25	.984	8, 5	.335	24, 2	.953	22	.866	13
	MA16 08 18	A006004 1	8	G1/8	14	.551	14, 5	.571	5	.197	18	.709	22, 5	.886	13
	MA16 08 14	A006004 2	8	G1/4	14	.551	16	.630	6, 5	.256	21, 5	.846	22, 5	.886	13

CA D	TYPE	CODE	OD 1	D1	D2	D2 (in)	D3	D3 (in)	L1	L1 (in)	L2	L2 (in)	L3	L3 (in)	H 1
	MA16 08 38	A006004 3	8	G3/8	14	.551	20	.787	7	.276	25, 5	1.004	23	.906	16
	MA16 08 12	A006004 4	8	G1/2	14	.551	25	.984	8, 5	.335	27, 5	1.083	23	.906	16
	MA16 10 18	A006005 1	10	G1/8	16	.630	18	.709	5	.197	20, 5	.807	26	1.024	16
	MA16 10 14	A006005 2	10	G1/4	16	.630	18	.709	6, 5	.256	22	.866	26	1.024	16
	MA16 10 38	A006005 3	10	G3/8	16	.630	20	.787	7	.276	25, 5	1.004	26	1.024	16
	MA16 10 12	A006005 4	10	G1/2	16	.630	25	.984	8, 5	.335	27, 5	1.083	26	1.024	16
	MA16 12 14	A006006 2	12	G1/4	19	.748	22, 5	.886	6, 5	.256	25, 5	1.004	28, 5	1.122	20
	MA16 12 38	A006006 3	12	G3/8	19	.748	22, 5	.886	7	.276	26	1.024	28, 5	1.122	20

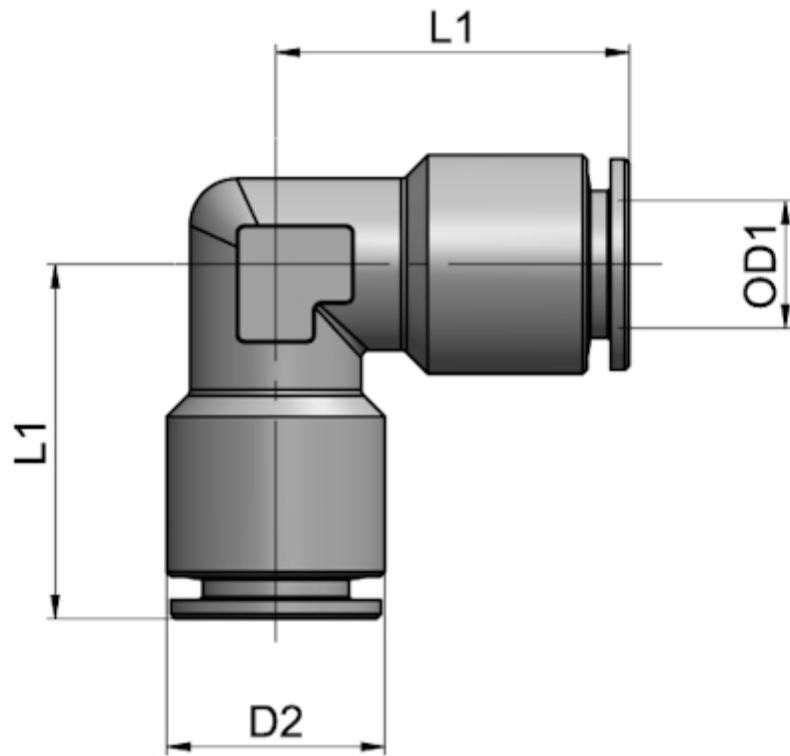
CA D	TYPE	CODE	OD 1	D1	D2	D2 (in)	D3	D3 (in)	L1	L1 (in)	L2	L2 (in)	L3	L3 (in)	H 1
	MA16 12 12	A006006 4	12	G1/2	19	.748	25	.984	8, 5	.335	30, 5	1.201	28, 5	1.122	20
	MA16 14 38	A006007 3	14	G3/8	22	.866	22, 5	.886	7	.276	26	1.024	32	1.260	20
	MA16 14 12	A006007 4	14	G1/2	22	.866	25	.984	8, 5	.335	30, 5	1.201	32	1.260	20
	MA16 16 12	A006009 4	16	G1/2	24	.945	27	1.063	8, 5	.335	33	1.299	36, 5	1.437	25
	MA16 16 34	A006009 5	16	G3/4	24	.945	32	1.260	9, 5	.374	35	1.378	36, 5	1.437	25



Available sizes MA26

CAD	TYPE	CODE	OD1	OD2	D1	D1 (in)	D2	D2 (in)	L1	L1 (in)
	MA26 03 03	A0160000	3	3	6,5	.256	6,5	.256	22,5	.886
	MA26 04 04	A0160010	4	4	9	.354	9	.354	28	1.102
	MA26 06 06	A0160030	6	6	12	.472	12	.472	33,6	1.323
	MA26 06 04	A0163010	6	4	12	.472	12	.472	31	1.220
	MA26 08 08	A0160040	8	8	14	.551	14	.551	34	1.339
	MA26 08 06	A0164030	8	6	14	.551	14	.551	34	1.339
	MA26 10 10	A0160050	10	10	16	.630	16	.630	38,6	1.520
	MA26 10 08	A0165040	10	8	16	.630	16	.630	36,5	1.437

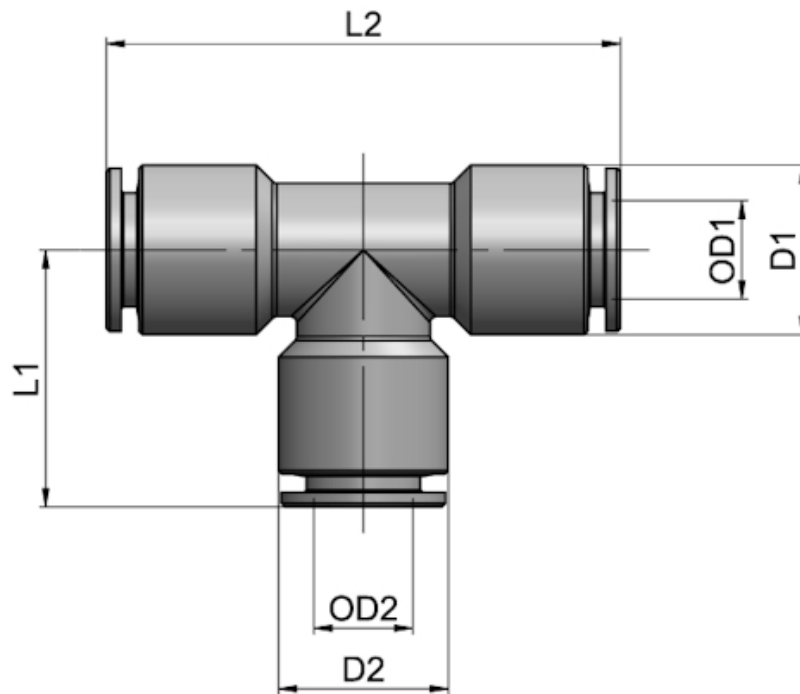
CAD	TYPE	CODE	OD1	OD2	D1	D1 (in)	D2	D2 (in)	L1	L1 (in)
	MA26 12 12	A0160060	12	12	19	.748	19	.748	41	1.614
	MA26 12 08	A0166040	12	8	19	.748	14	.551	39	1.535
	MA26 12 10	A0166050	12	10	19	.748	16	.630	40,5	1.594
	MA26 14 14	A0160070	14	14	22	.866	22	.866	47	1.850
	MA26 14 12	A0167060	14	12	22	.866	19	.748	44,5	1.752
	MA26 16 16	A0160090	16	16	24	.945	24	.945	47	1.850
	MA26 16 12	A0169060	16	12	24	.945	19	.748	44,5	1.752
	MA26 16 14	A0169070	16	14	24	.945	22	.866	47	1.850



Available sizes MA28

CAD	TYPE	CODE	OD1	D2	D2 (in)	L1	L1 (in)
	MA28 03 03	A0180000	3	7	.276	12,8	.504
	MA28 04 04	A0180010	4	9	.354	17,5	.689
	MA28 06 06	A0180030	6	12	.472	20,5	.807
	MA28 08 08	A0180040	8	14	.551	22,5	.886
	MA28 10 10	A0180050	10	16	.630	25	.984

CAD	TYPE	CODE	OD1	D2	D2 (in)	L1	L1 (in)
	MA28 12 12	A0180060	12	19	.748	26,5	1.043
	MA28 14 14	A0180070	14	22	.866	31,5	1.240
	MA28 16 16	A0180090	16	24	.945	36,5	1.437

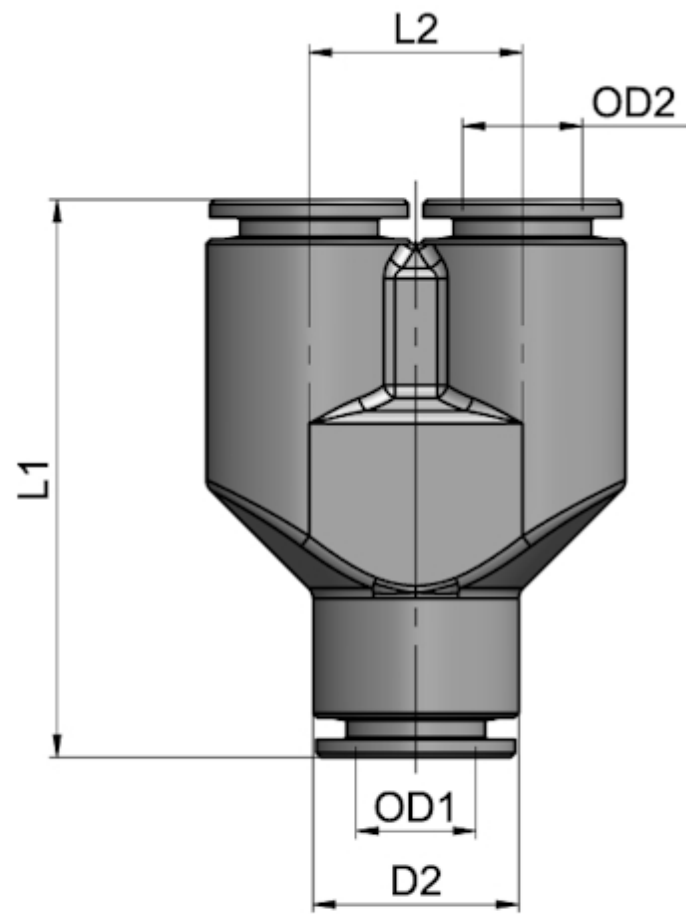


Available sizes MA29

CAD	TYPE	CODE	OD1	OD2	D1	D1 (in)	D2	D2 (in)	L1	L1 (in)	L2	L2 (in)
	MA29 03 03	A0190000	3	3	7	.276	7	.276	12,8	.504	25,6	1.008

CAD	TYPE	CODE	OD1	OD2	D1	D1 (in)	D2	D2 (in)	L1	L1 (in)	L2	L2 (in)
	MA29 04 04	A0190010	4	4	9	.354	9	.354	17,5	.689	35	1.378
	MA29 06 06	A0190030	6	6	12	.472	12	.472	20	.787	40	1.575
	MA29 06 04	A0193010	6	4	12	.472	9	.354	18	.709	40	1.575
	MA29 08 08	A0190040	8	8	14	.551	14	.551	21	.827	42	1.654
	MA29 08 06	A0194030	8	6	14	.551	12	.472	20,5	.807	42	1.654
	MA29 10 10	A0190050	10	10	16	.630	16	.630	24,5	.965	49	1.929
	MA29 10 08	A0195040	10	8	16	.630	14	.551	23	.906	49	1.929
	MA29 12 12	A0190060	12	12	19	.748	19	.748	26	1.024	52	2.047

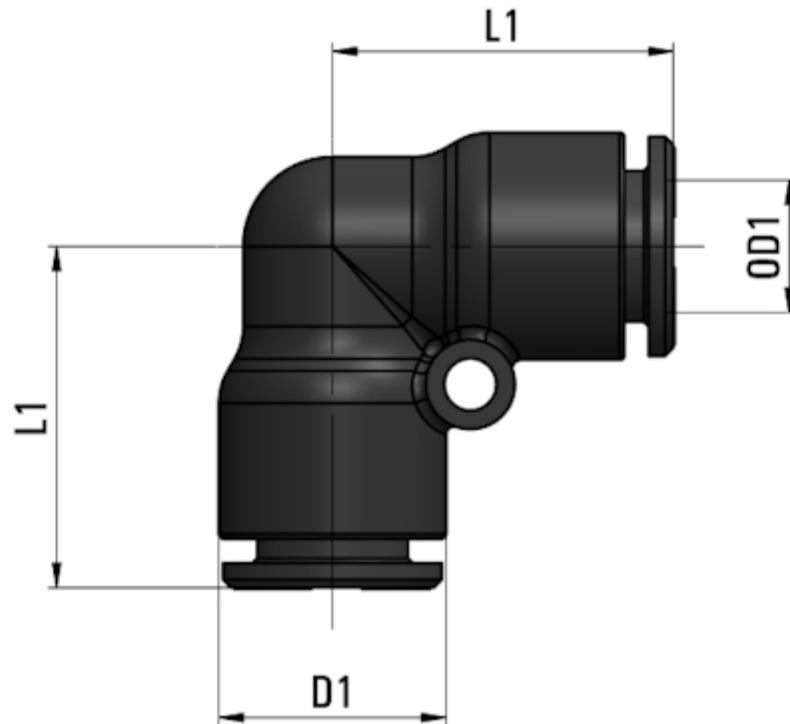
CAD	TYPE	CODE	OD1	OD2	D1	D1 (in)	D2	D2 (in)	L1	L1 (in)	L2	L2 (in)
	MA29 12 10	A0196050	12	10	19	.748	16	.630	26	1.024	52	2.047
	MA29 14 14	A0190070	14	14	22	.866	22	.866	30,5	1.201	61	2.402
	MA29 16 16	A0190090	16	16	24	.945	24	.945	34,5	1.358	69	2.717



Available sizes MA37

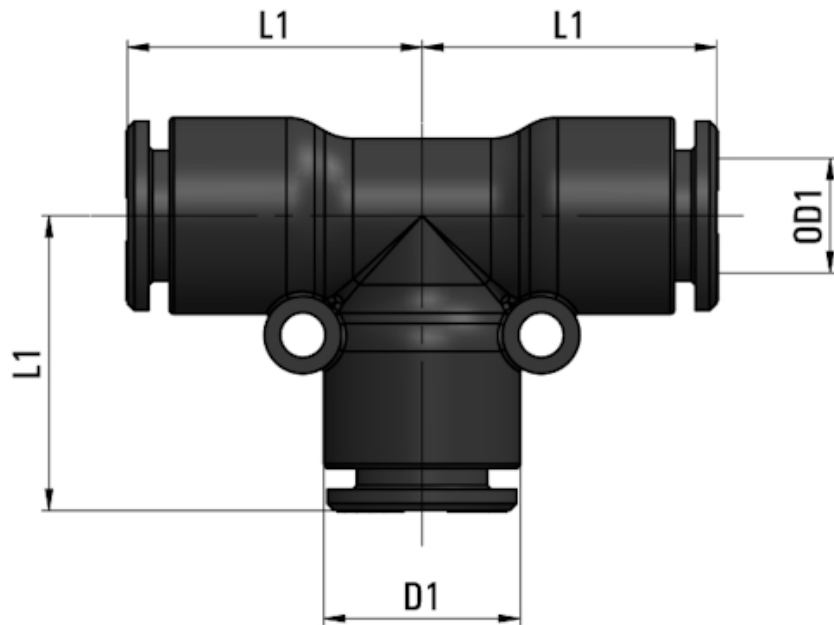
CAD	TYPE	CODE	OD1	OD2	D2	D2 (in)	L1	L1 (in)	L2	L2 (in)
	MA37 03 03	A0270000	3	3	6,8	.267	25	.984	7,5	.295
	MA37 04 04	A0271010	4	4	9	.354	29,5	1.161	9,5	.374
	MA37 06 06	A0273030	6	6	12	.472	36,5	1.437	12,5	.492
	MA37 06 04	A0273010	6	4	12	.472	34,1	1.343	11	.433
	MA37 08 08	A0274040	8	8	14	.551	37,5	1.476	14,5	.571
	MA37 08 06	A0274030	8	6	14	.551	37,5	1.476	14,5	.571
	MA37 10 10	A0275050	10	10	16	.630	44,5	1.752	16,5	.650
	MA37 10 08	A0275040	10	8	16	.630	44	1.732	16,5	.650

CAD	TYPE	CODE	OD1	OD2	D2	D2 (in)	L1	L1 (in)	L2	L2 (in)
	MA37 12 12	A0276060	12	12	19	.748	49	1.929	19,5	.768



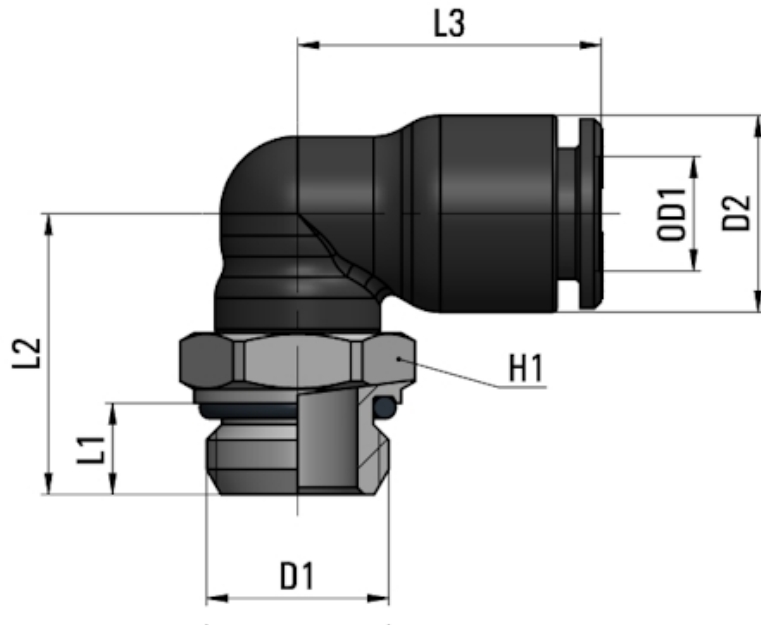
Available sizes MB14

CAD	TYPE	CODE	OD1	D1	D1 (in)	L1	L1 (in)
	MB14 04 04	B0040010	4	9,5	.374	15,5	.610
	MB14 06 06	B0040030	6	11,5	.453	19,5	.768
	MB14 08 08	B0040040	8	14	.551	21	.827
	MB14 10 10	B0040050	10	16	.630	24	.945
	MB14 12 12	B0040060	12	19	.748	27	1.063
	MB14 14 14	B0040070	14	22,5	.886	30,5	1.201



Available sizes MB15

CAD	TYPE	CODE	OD1	D1	D1 (in)	L1	L1 (in)
	MB15 04 04	B0050010	4	9,5	.374	15,5	.610
	MB15 06 06	B0050030	6	11,5	.453	19,5	.768
	MB15 08 08	B0050040	8	14	.551	21	.827
	MB15 10 10	B0050050	10	16	.630	24	.945
	MB15 12 12	B0050060	12	19	.748	27	1.063
	MB15 14 14	B0050070	14	22,5	.886	30,5	1.201

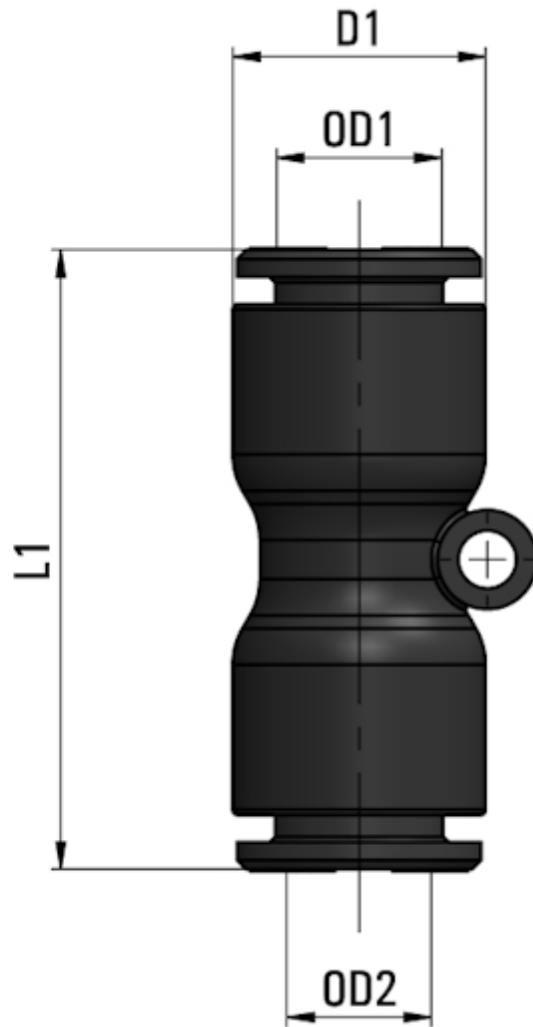


Available sizes MB18

CAD	TYPE	CODE	OD1	D1	D2	D2 (in)	L1	L1 (in)	L2	L2 (in)	L3	L3 (in)	H1
	MB18 04 M5	B0080010	4	M5x0,8	9,5	.374	4	.157	14,8	.583	16	.630	9
	MB18 04 18	B0080011	4	G1/8	9,5	.374	5	.197	15	.591	16	.630	12

CAD	TYPE	CODE	OD1	D1	D2	D2 (in)	L1	L1 (in)	L2	L2 (in)	L3	L3 (in)	H1
	MB18 04 14	B0080012	4	G1/4	9,5	.374	6,5	.256	17	.669	16	.630	15
	MB18 06 M5	B0080030	6	M5x0,8	11,5	.453	4	.157	15,3	.602	20,5	.807	12
	MB18 06 18	B0080031	6	G1/8	11,5	.453	5	.197	17,3	.681	20,5	.807	12
	MB18 06 14	B0080032	6	G1/4	11,5	.453	6,5	.256	19,3	.760	20,5	.787	15
	MB18 08 18	B0080041	8	G1/8	14	.551	5	.197	18	.709	21,5	.846	12
	MB18 08 14	B0080042	8	G1/4	14	.551	6,5	.256	20	.787	21,5	.846	15
	MB18 08 38	B0080043	8	G3/8	14	.551	7	.276	21,5	.846	21,5	.846	20
	MB18 10 14	B0080052	10	G1/4	16	.630	6,5	.256	21,5	.846	24,5	.965	16

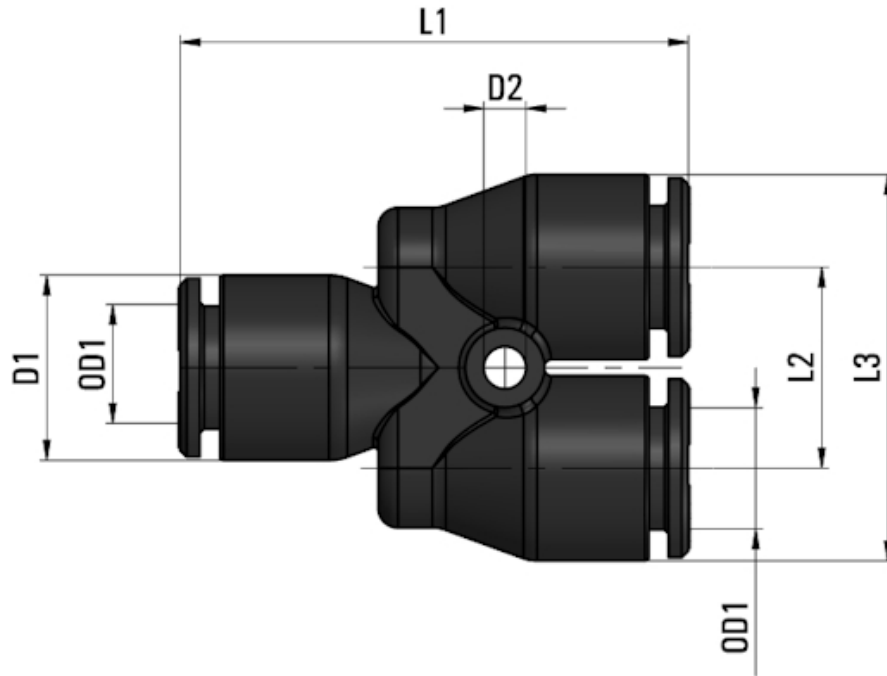
CAD	TYPE	CODE	OD1	D1	D2	D2 (in)	L1	L1 (in)	L2	L2 (in)	L3	L3 (in)	H1
	MB18 10 38	B0080053	10	G3/8	16	.630	6,5	.256	23,5	.925	24,5	.965	20
	MB18 12 38	B0080063	12	G3/8	19	.748	7	.276	24	.945	28,5	1.122	20
	MB18 12 12	B0080064	12	G1/2	19	.748	8,5	.335	28,5	1.122	28,5	1.122	20
	MB18 14 38	B0080073	14	G3/8	22,5	.886	7	.276	25	.984	32,3	1.272	20
	MB18 14 12	B0080074	14	G1/2	22,5	.886	8,5	.335	29,5	1.161	32,3	1.272	20



Available sizes MB25

CAD	TYPE	CODE	OD1	OD2	D1	D1 (in)	L1	L1 (in)
	MB25 04 04	B0150010	4	4	9,5	.374	27,5	1.083
	MB25 06 06	B0150030	6	6	11,5	.453	33,7	1.327
	MB25 08 08	B0150040	8	8	14	.551	34,3	1.350
	MB25 10 10	B0150050	10	10	16	.630	37,9	1.492

CAD	TYPE	CODE	OD1	OD2	D1	D1 (in)	L1	L1 (in)
	MB25 12 12	B0150060	12	12	19	.748	41,3	1.626
	MB25 06 04	B0153010	6	4	11,5	.453	30,6	1.205
	MB25 08 06	B0154030	8	6	14	.551	34	1.339
	MB25 10 08	B0155040	10	8	16	.630	36,1	1.421
	MB25 12 08	B0156040	12	8	19	.748	39,1	1.539
	MB25 12 10	B0156050	12	10	19	.748	39,6	1.560
	MB25 14 14	B0150070	14	14	22,5	.886	48	1.890



Available sizes MB29

CAD	TYPE	CODE	OD1	D1	D1 (in)	D2	D2 (in)	L1	L1 (in)	L2	L2 (in)	L3	L3 (in)
	MB29 04 04	B0191010	4	9,5	.374	2,7	.106	29,3	1.154	10,7	.421	20,2	.795

CAD	TYPE	CODE	OD1	D1	D1 (in)	D2	D2 (in)	L1	L1 (in)	L2	L2 (in)	L3	L3 (in)
	MB29 06 06	B0193030	6	11,5	.453	3,2	.126	35,9	1.413	13	.512	24,5	.965
	MB29 08 08	B0194040	8	14	.551	3,2	.126	38,5	1.516	15,2	.598	29,2	1.150
	MB29 10 10	B0195050	10	16	.630	3,2	.126	41,6	1.638	17,5	.689	33,5	1.319
	MB29 12 12	B0196060	12	19	.748	3,2	.126	46	1.811	20,5	.807	39,5	1.555