

CADEBOT L100

Large Screen Efficient Delivery

Multi-scene Intelligent Open Delivery Robot



Lifelike Design

Human-like interaction mode, a novel communication experience



270° Open Tray design

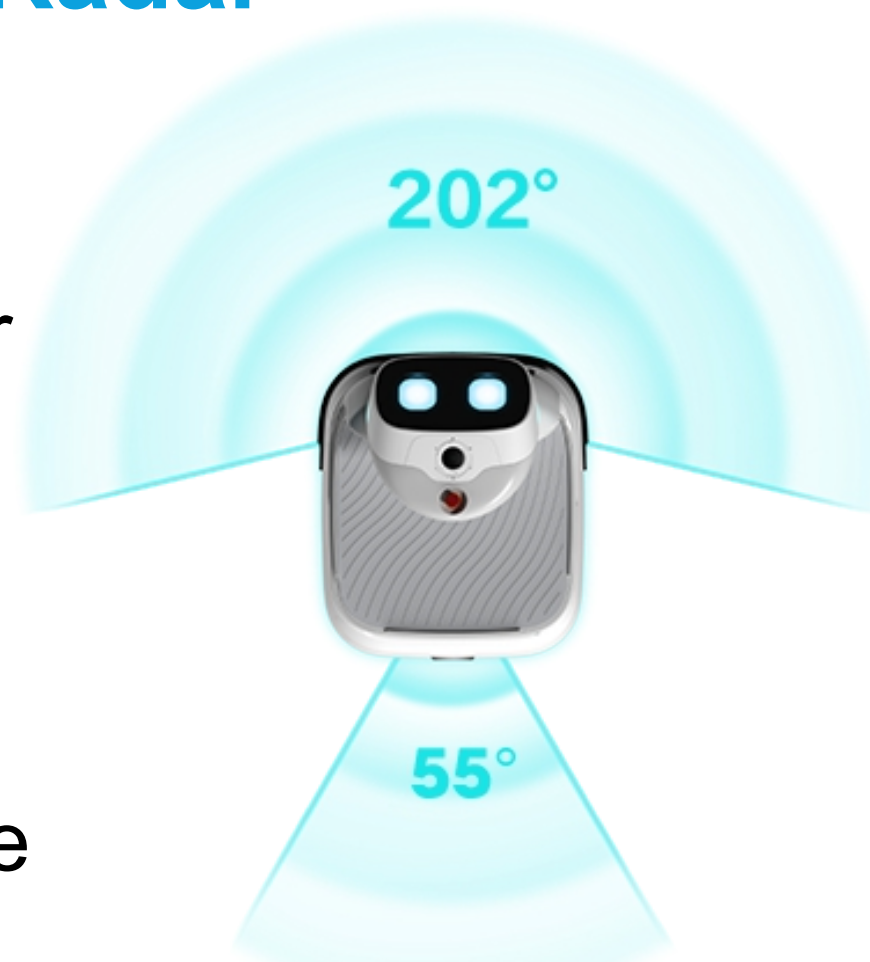
High-quality ADC12 aluminum alloy die-casting Allowing convenient placement and easy retrieval



Front-to-back Radar System

Forward 202° and rearward 55° radar detection range.

Front and rear sensing, flexible obstacle avoidance



21 Inch Ultra-HD Advertising Display

Customizable marketing materials showed on a walking billboard



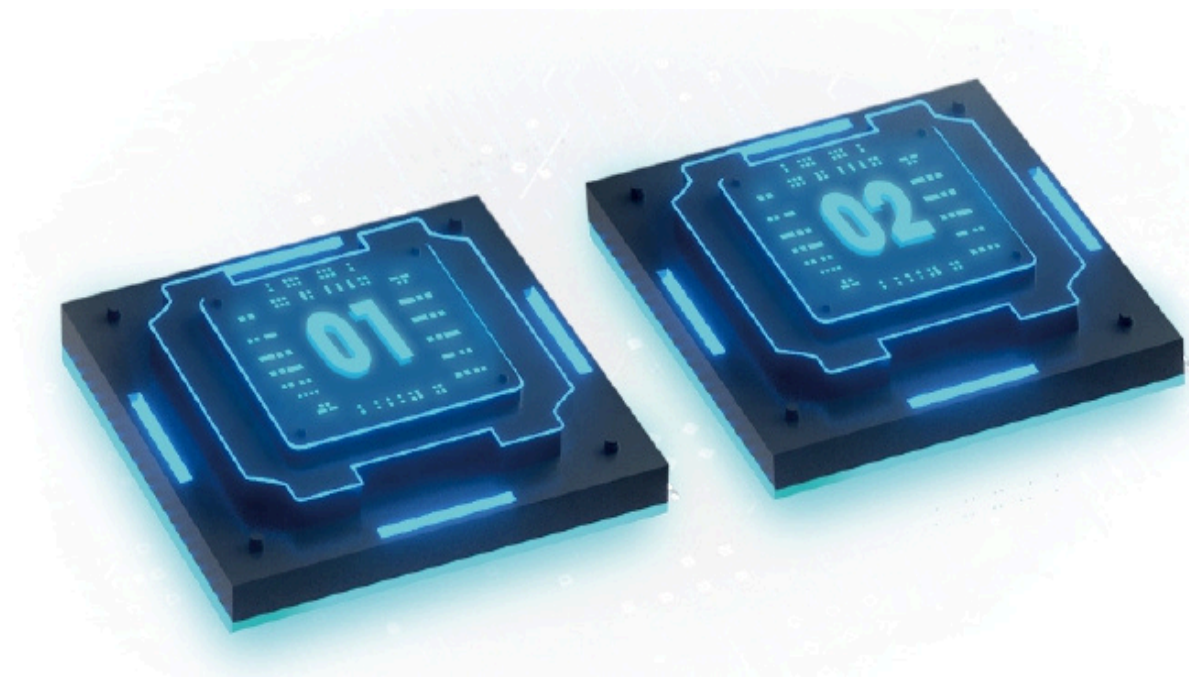
L-shape Structure Offers More Stable Support

The body is made of automotive-grade Q345 alloy steel. The tray is formed by high-quality ADC12 aluminum alloy die-casting. Open design, maximum load 40kg.



Dual-Chip Configuration

Dual-core drive, doubling the intelligence



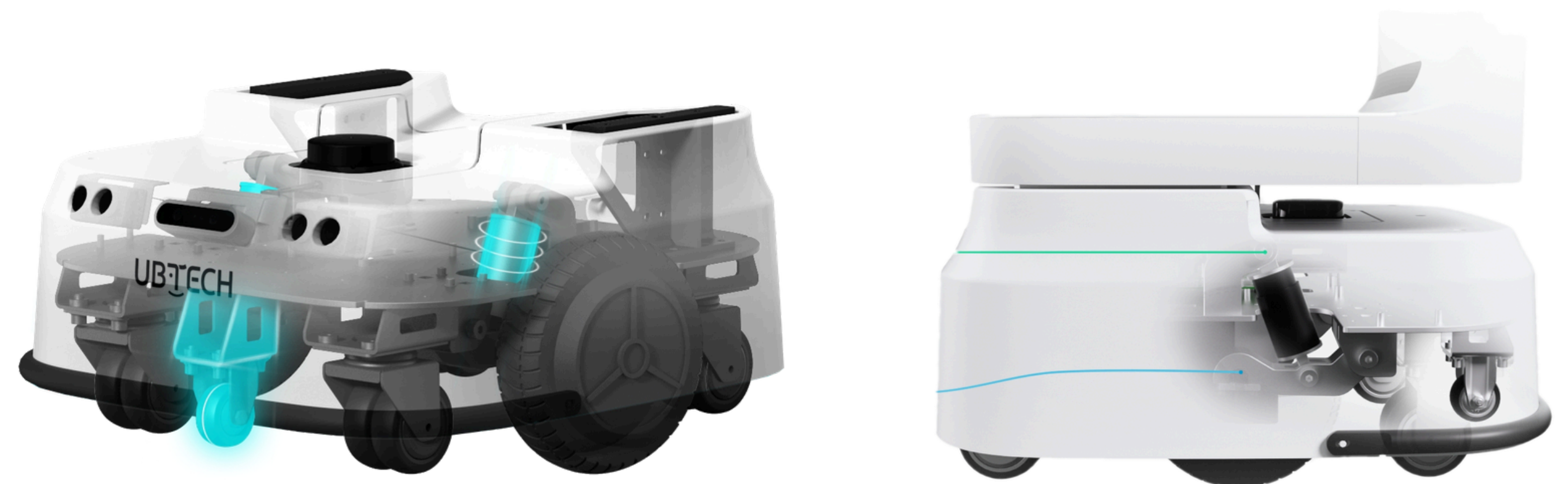
Surrounding Indicators

Create good vibes, quick identification of operation status available



U-STABLE Chassis

Equipped with automotive-grade shock-absorbing suspension, all-terrain wheels and shock-absorbing wheels for stable movement



Dynamic lifelike interaction, sensory communication

CADEBOT, a multi-scene comprehensive commercial delivery robot



Lifelike Interactive Design

Industry-leading eye-tracking technology

Dozens of expressive animations enabling human-machine interaction



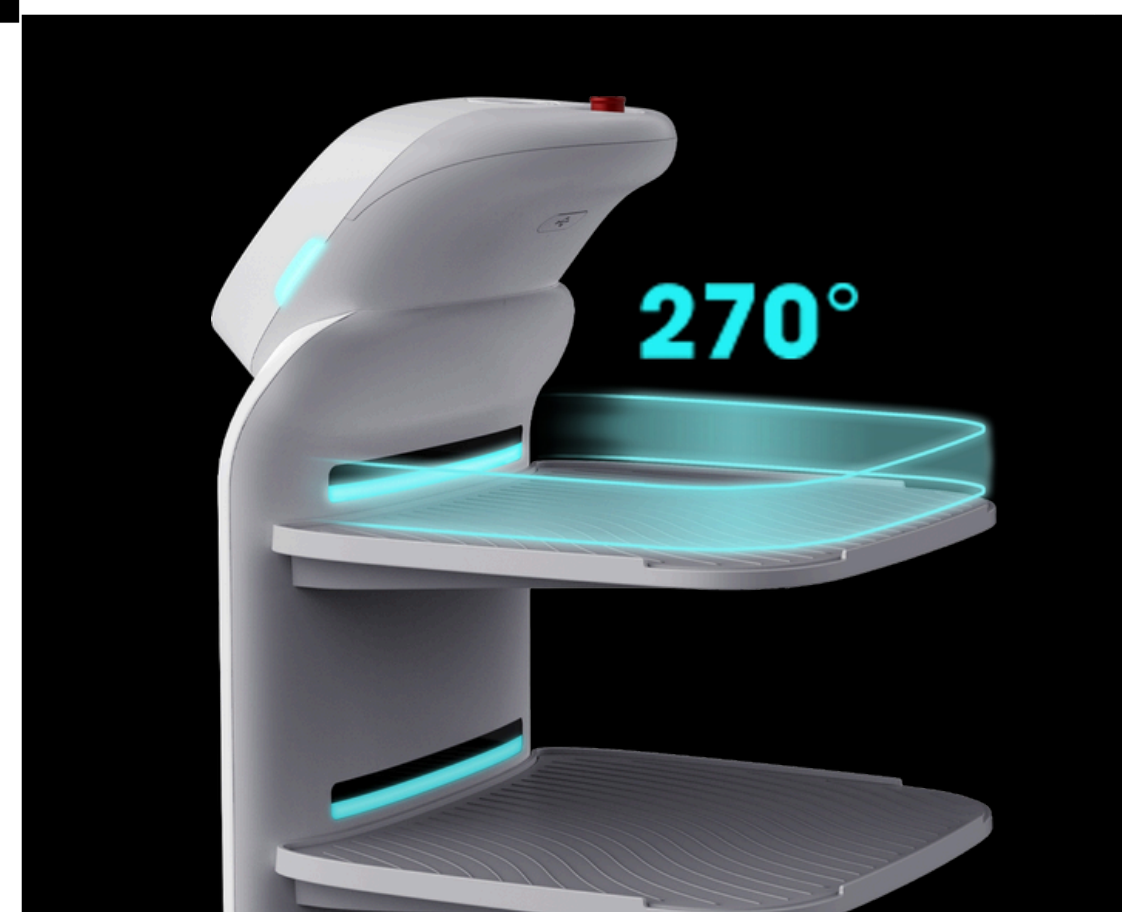
L-shaped Structure, More Steady Support

Minimalistic L-shape, combining openness and practicality

Detachable structure, adaptable to various scenarios

270° Open Structure Tray

More user-friendly industrial design, better delivery experience



Intelligent Tray with Sensors, Clearer Pick-up Instruction

Built-in infrared sensors available for intelligent detection of pick-up status.

The lighting of tray minimizes the risk of errors

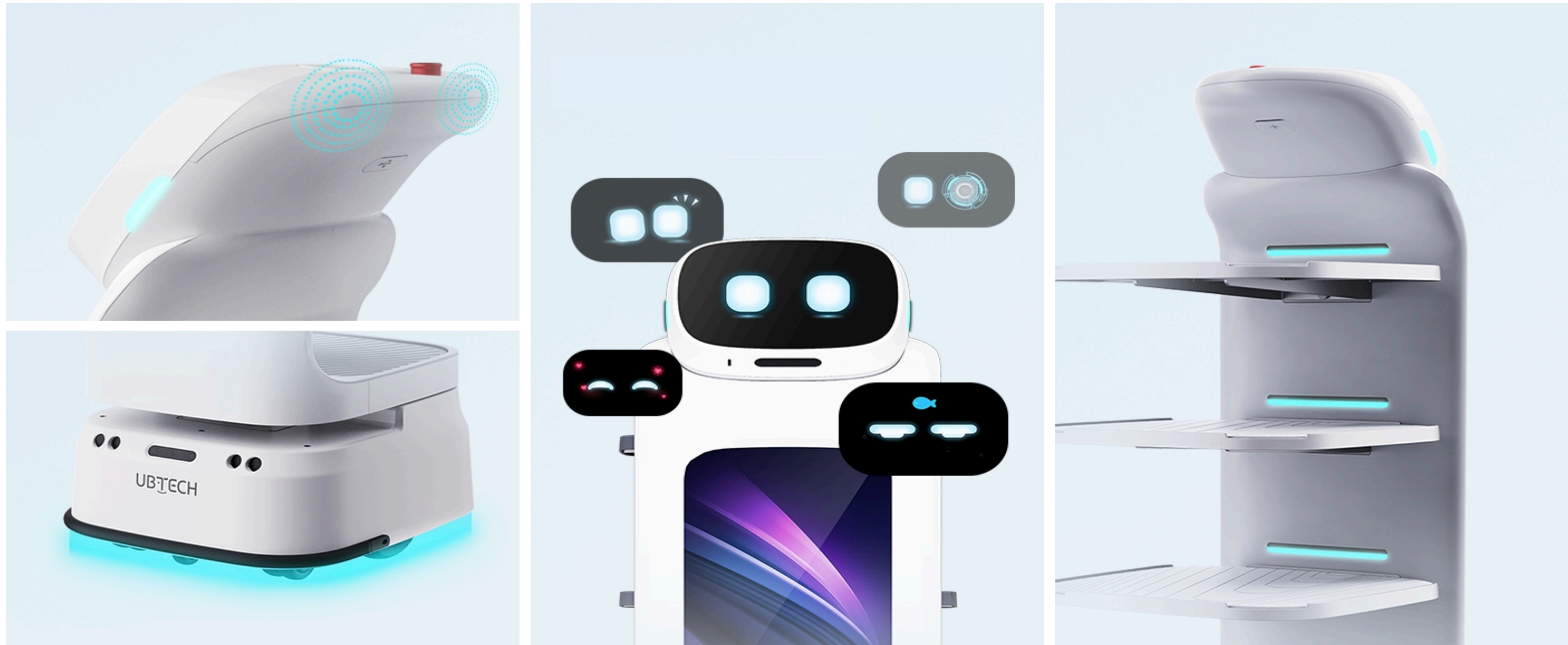


Multimodal Interaction

Animated Expressions: Dozens of original, and exclusive expressions enable more engaging and natural interaction

Three-dimensional Lighting Interaction: Effects based on different scenes and tasks, providing users with clearer status indications

Playful Voice: A rich voiced dialog library, supporting personalized voice customization



Mobile Advertising Display

- Supports customize marketing materials
- Supports quick import of advertisements via USB flash drive
- Supports cloud-based advertisement management
- Various materials support 4 major service modes



- Ø Guests welcoming
- Ø Smart escorting
- Ø Cruising & Advertising
- Ø Birthday mode

Customizable Skins

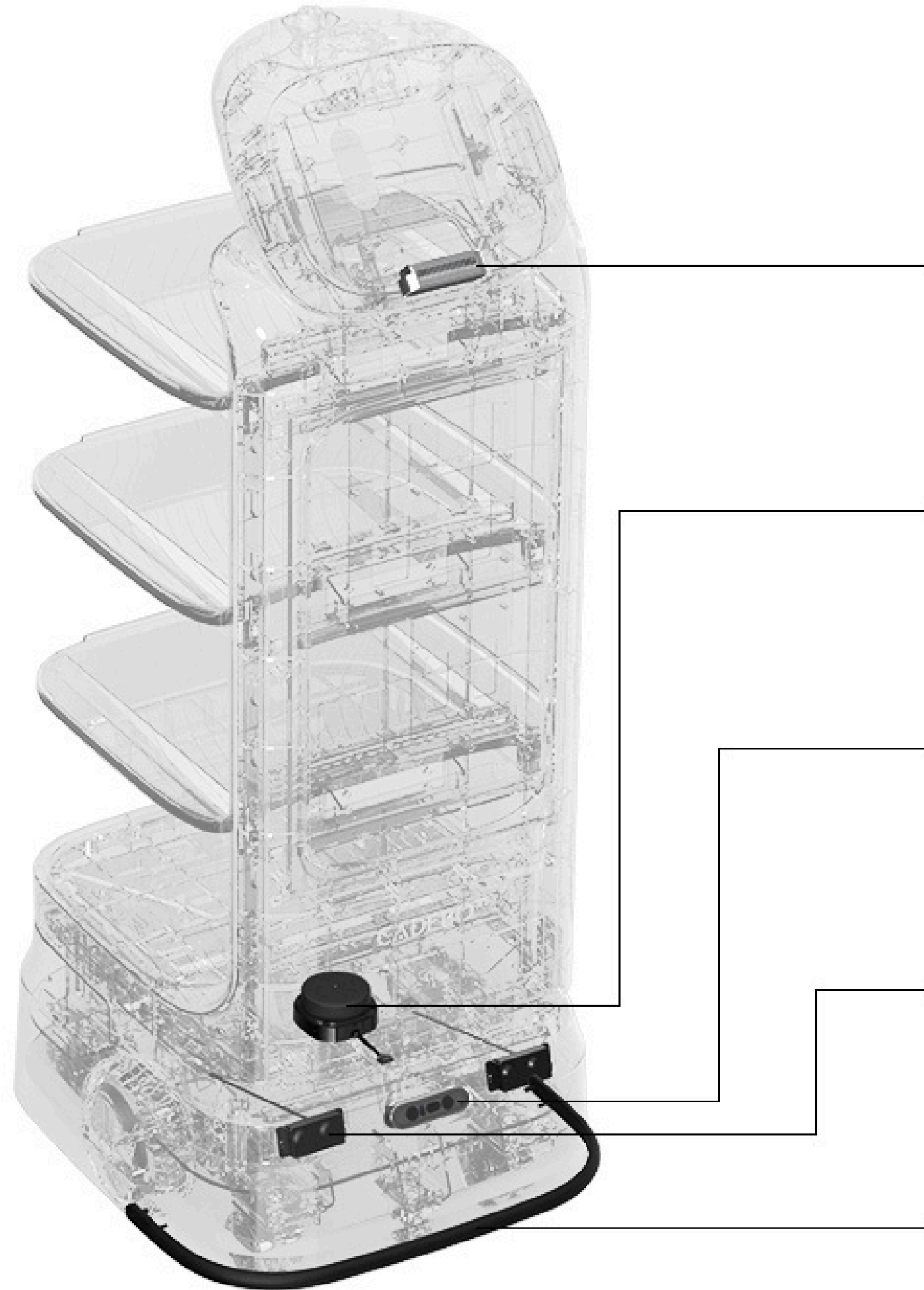
Customized skins based on holiday themes, marketing campaigns, or brand images

- Culture Theme
- Sport Theme
- Holiday Theme



Multi-Sensor Fusion for Comprehensive Intelligent Obstacle Avoidance

Equipped with front-to-back LIDAR, RGBD depth cameras, and ultrasonic sensors to minimize blind spots and achieve three-dimensional obstacle avoidance.



Head-mounted RGBD Depth Camera

Human detection, table and chair detection
Cliff detection, slipper detection

Front-to-Back Radar

Forward to 202° , backward to 55°
Detection distance of up to 30cm

Chassis-mounted RGBD Depth Camera

Recognition of pedestrian movement status and
table leg recognition

Ultrasonic Sensor

Transparent glass recognition and autonomous
avoidance

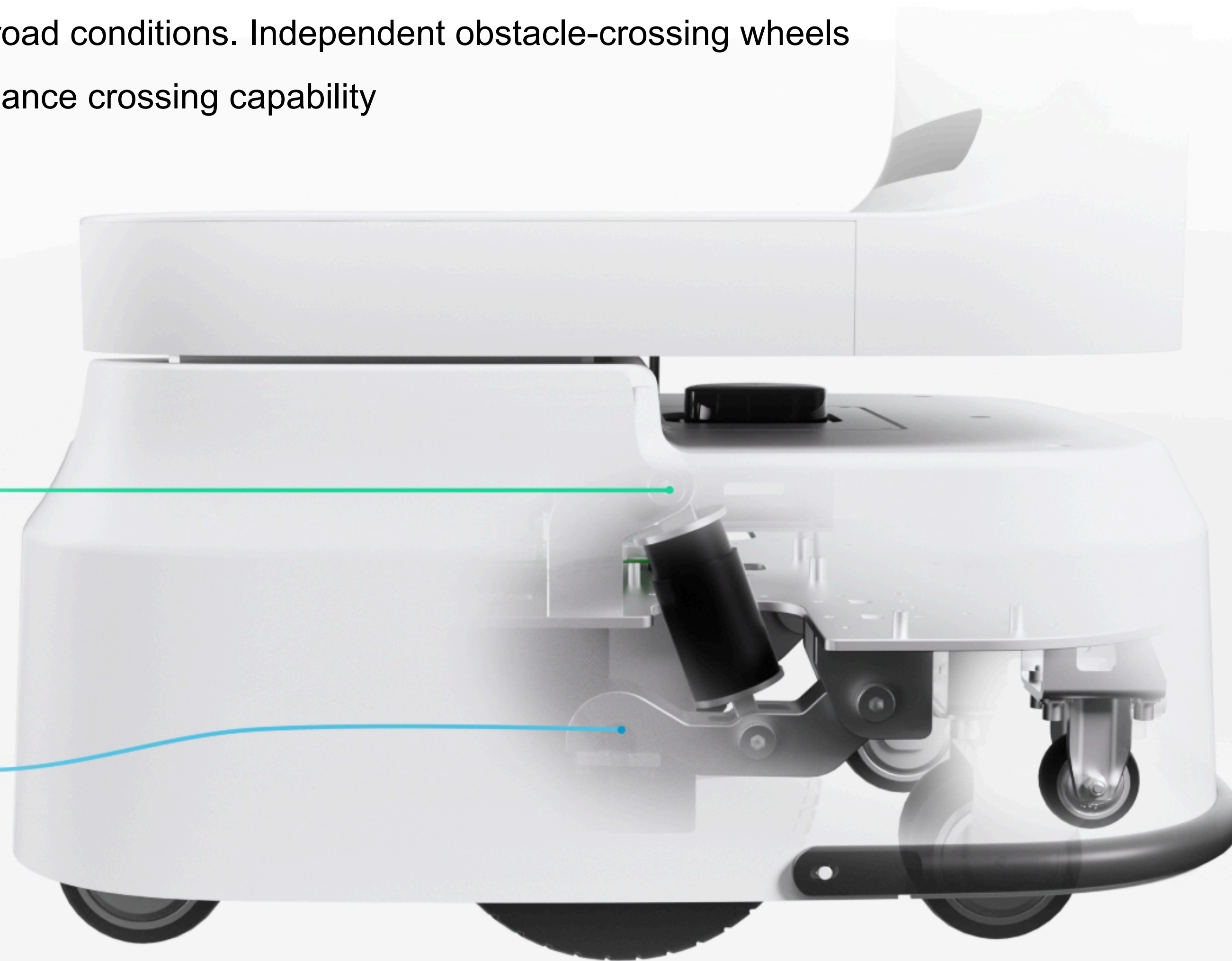
Curved Anti-collision Strip

Real-time reaction when touching obstacles
to enhance safe mobility

Smooth and Reliable Operation

Automotive-grade independent suspension.

Damping coefficients vary with road conditions. Independent obstacle-crossing wheels and shock absorber wheels enhance crossing capability

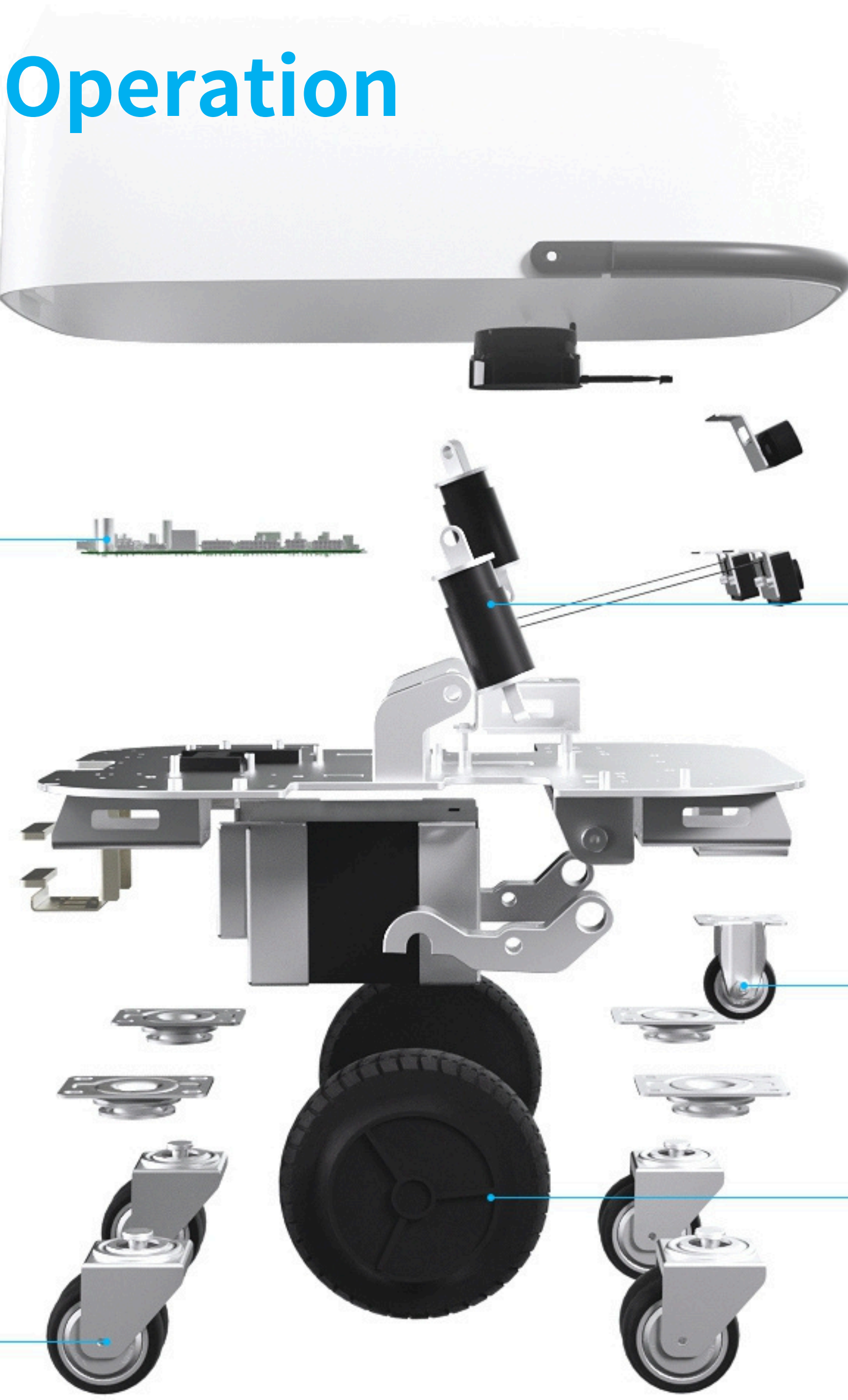


Smooth and Reliable Operation

Motion control chip



Specification-grade independent suspension



Independent overrunning wheels

Wheel motors

Shock-absorbing universal wheels



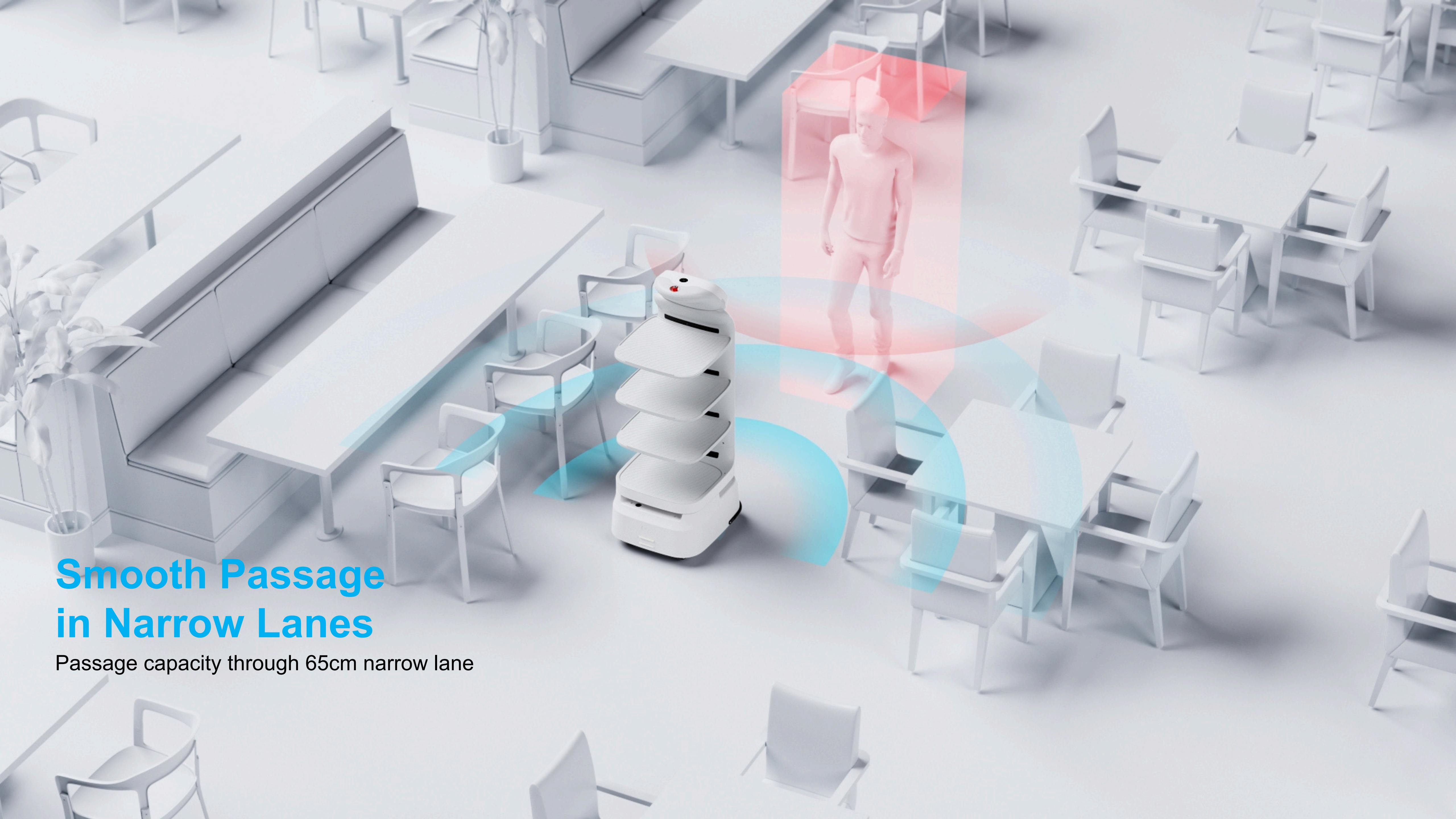
Cloud Platform Centralized

Scheduling for Efficient Multi-robot Collaboration Built-in wireless communication (Lora) technology Supports real-time communication between multiple devices in offline mode, and enables multi-device coordination



U-SLAM Fusion Positioning Technology

Mainly uses laser SLAM for positioning, with top-view QR code positioning as a supplementary method. In environments with frequent changes or in hazardous areas, the positioning can be promptly corrected through QR code scanning. Supports QR code recognition at heights of 3-5 meters. Equipped with infrared fill light to support low-light environments.



Smooth Passage in Narrow Lanes

Passage capacity through 65cm narrow lane



0.3-1.0m/s

Flexible Adjustment to Slopes

Speed adjustment according to different slopes, with a speed-limit function



**Cliff Detection for
Autonomous Obstacle
Avoidance**



**Intelligent Obstacle
Avoidance with Glass
Recognition**

Multi-table Delivery with Single Operation

Autonomous optimal path planning

Support face recognition and password input for operation



Map synchronization complete



Rapid deployment, Multi-device sharing

Built-in mapping and deployment functionality, providing a simple and user-friendly experience.

Once mapping is completed with a single machine, it can be synchronized to the cloud via built-in Wi-Fi or 4G for multi-device sharing.



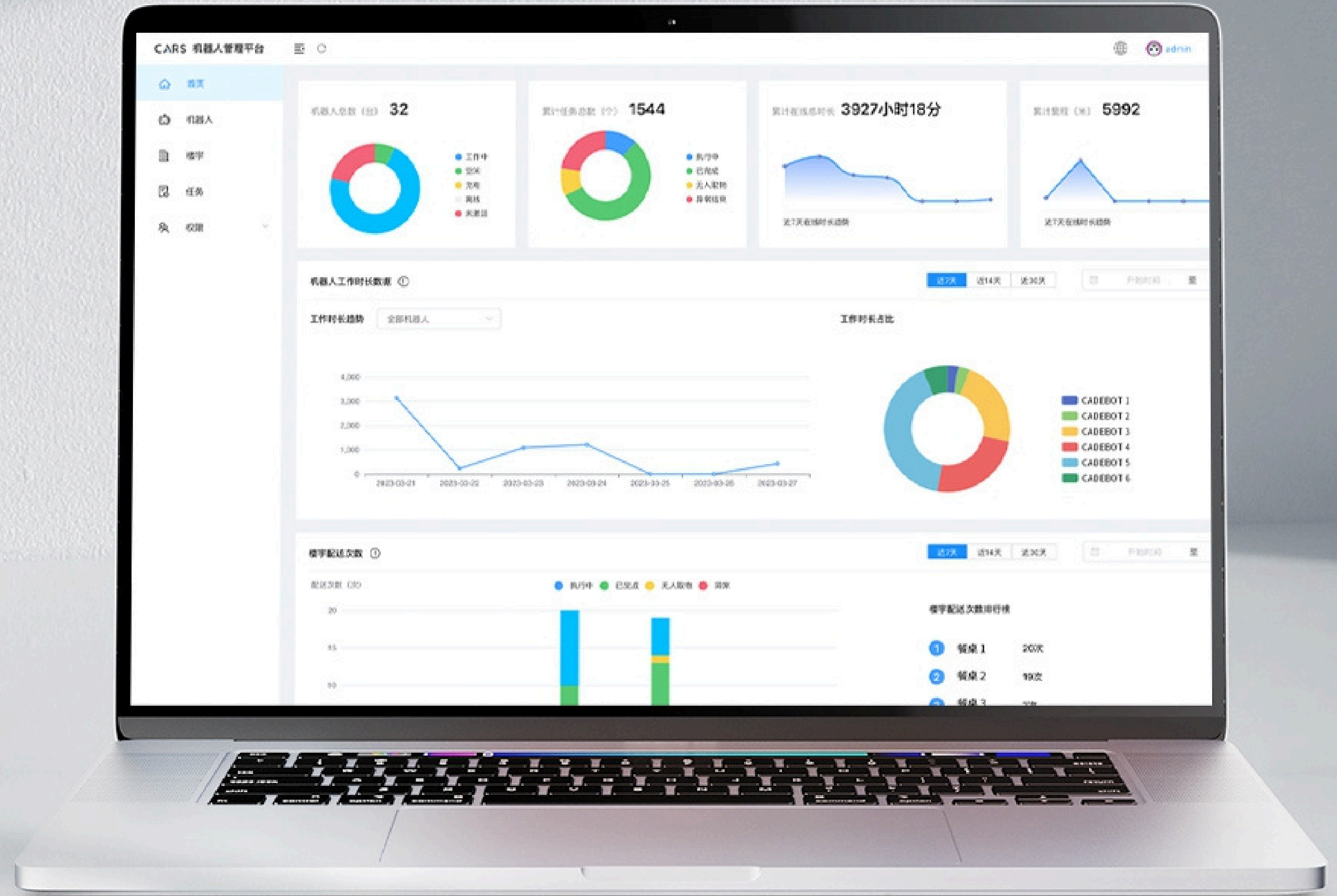
User-friendly Management Platform

CARS (Cadebot Artificial Intelligence Robot System) robot management platform

Integrated functions: marketing material editing, operation status queries, map management, efficiently manage robot data

Global multi-node deployment for faster platform access

Support private deployment for more secure data storage



A Variety of Accessories Meeting Needs of Diverse Scenario

Dust cover and large trays Customizable and easy installation



Automatic Recharging, Long Battery Life

- Automatically recharge when the battery is low
- 12 hours of battery life when fully charged
- Simultaneous Charging and Welcoming



Application Scenarios



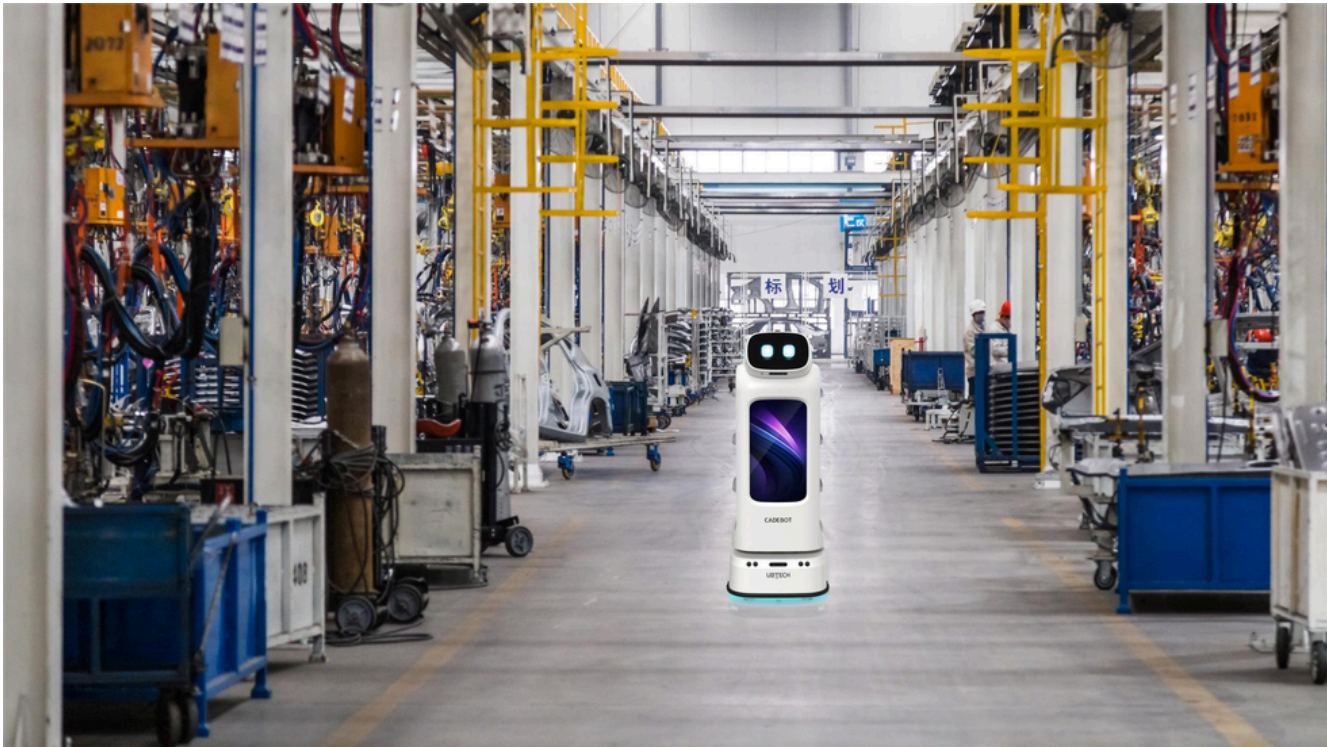
Restaurants



Airports



Hotels



Factories



Supermarkets



Retail

Services & Supports



Provide one-stop customized solution support. Including skin design to meet the needs of enterprise-level customers



A professional team^(A) installs and deploys robots on site, and high-quality services ensure that customers fully understand the use of the robots



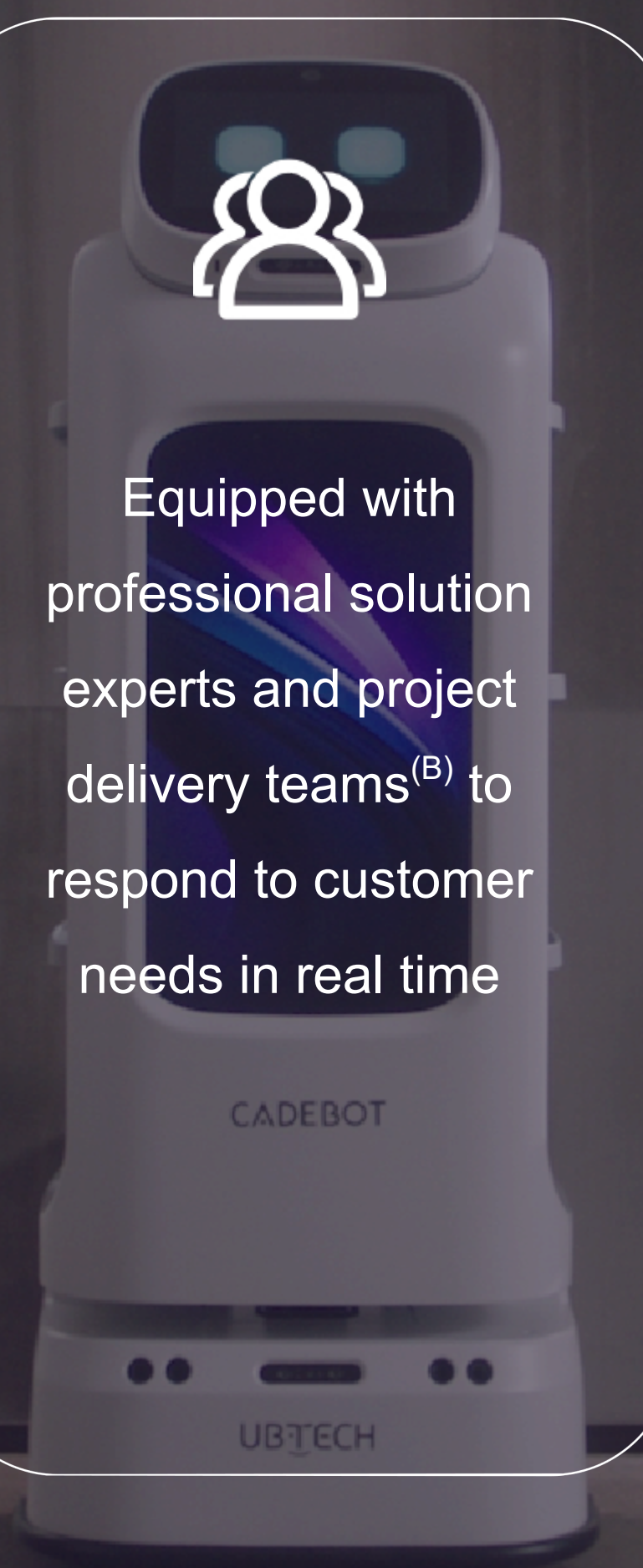
Equipped with professional solution experts and project delivery teams^(B) to respond to customer needs in real time



Robots come with one year warranty^(C), and any non-human failure that occurs during the warranty period will get rapid repairs and supports free of charge or free spare parts replacement, for detail please refer to the product service policy



UBTECH has highly automated robots production lines, high quality control and outstanding after-sales support services.



*(A) Provided by Ubtech official technicians or authorized service providers *
*(B) Provided by Ubtech official technicians or authorized service providers *(C)
Warranty period is determined by local laws, subject to related local legal requirements and varies by country/region.

Parameter

General	Overall Machine			
Parameters	Dimension:	551*484*1265mm	Color : Grey	Advertising Screen Size: 21 inch
	Net Weight:	65kg	Body Material : ABS	Touch Screen Resolution: FHD,1200*1920
	Gross Weight:	85kg	Touch Screen Size: 10 inch	Advertising Screen Resolution: FHD,1920*1080,16:9
Load Movement	Load Space :	3 trays / 4 loading places	Climbing Ability: 5°	
Capacity	Load Capacity/ Tray :	10KG	Movement Speed :	0.3~ 1.0m/s (adjustable)
	Total Load Capacity :	40KG	Obstacle-surmounting height:	15mm
			Passage width:	650mm
System	Operation System:	Linux, Android		
Parameter	Navigation Sensors:	Lidar x1	Top Camera: x1	Mic Array: 6 matrix microphones
		RGBD Depth Cameras: x2	Ultrasonic Sensors: x2	Positioning Accuracy: centimeter level
		Front Camera: x1		
Network & Charging	Network Support :	4G (TDD-LTE, FDD-LTE), WiFi 2.4G/5G, Lora	Charging Method:	Line charging, Automatic recharging
	Battery Capacity :	25AH	Charging Time:	4h (requires additional charging station)
			Battery life:	8 hours (working) / 12 hours (standby)
Optional Accessories	dust cover, large tray, charging station			

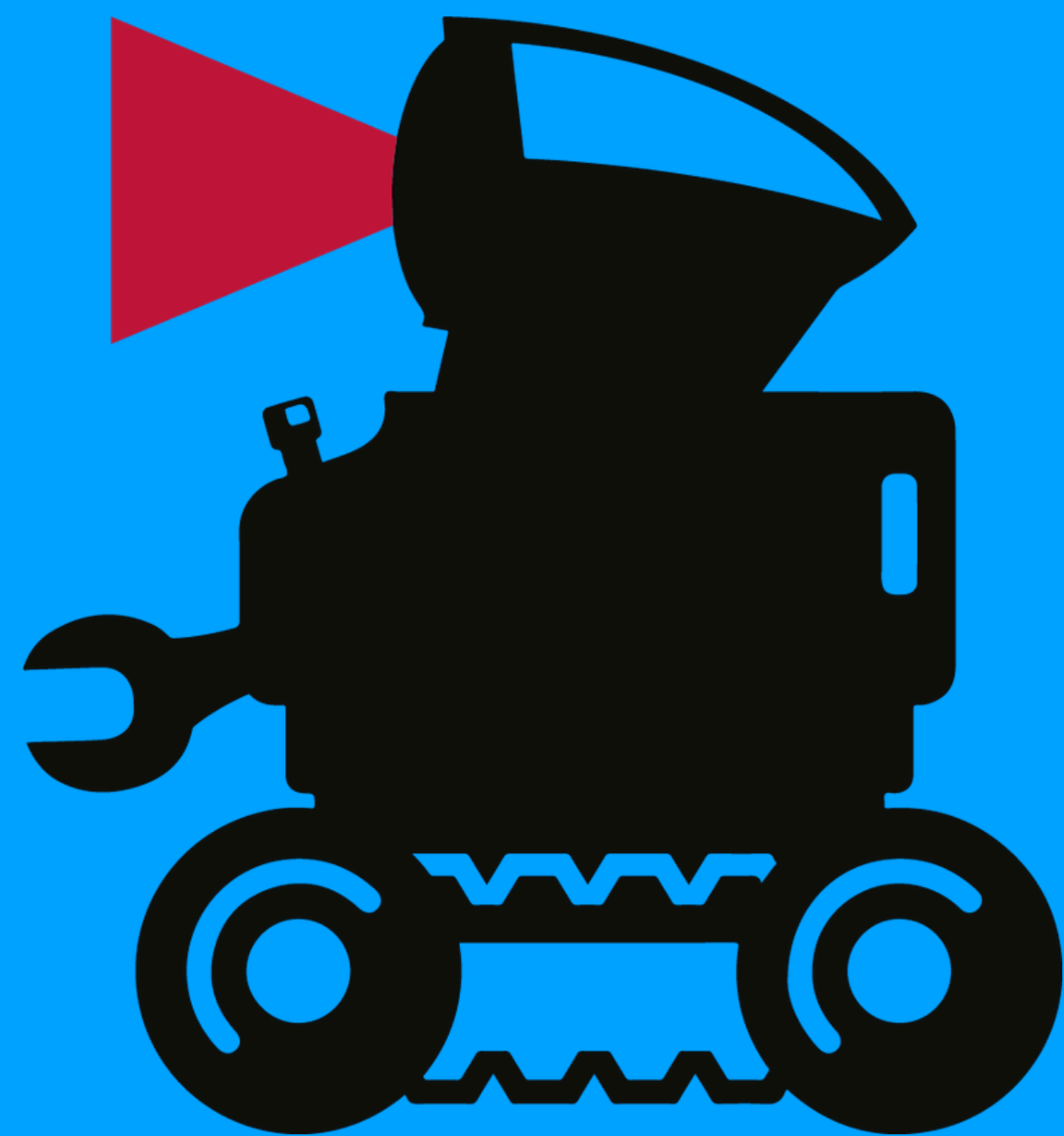
Packing List (Standard Configuration) robot body, power adapter, instruction manual, warranty certificate, and tray mats

CADEBOT L100

Multi-scene Intelligent Open Delivery Robot

Large Screen
Efficient Delivery
Thank you





686 51 09 00



info@bravorobots.com



www.bravorobots.com



Av. Cervantes 51, 11, Pl.4
48970, Basauri, España