

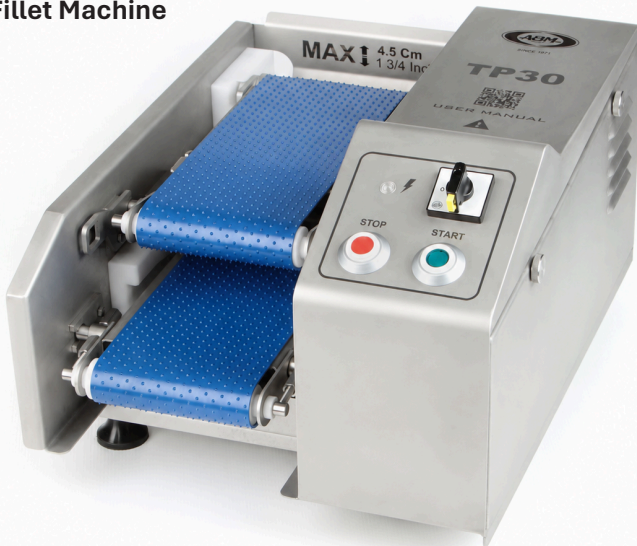


Since 1971



TP30

Fillet Machine



Overview

- Stainless steel construction - durable, NSF-certified, and built for daily sanitation
- Produces up to 35 fillets per minute - consistent output for high-volume operations
- Quick-release belts and blades for fast, tool-free cleaning
- Compact tabletop design - fits any deli counter or prep area

Cutting Groups

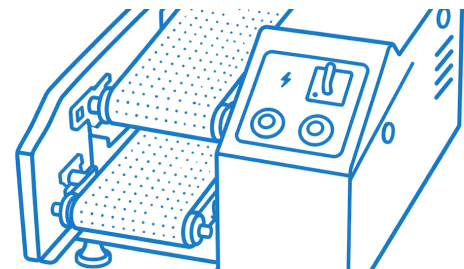
- 2-blade – 3 fillets | ~8mm/0.31"
- 3-blade* – 4 fillets | ~6mm/0.23"
- 4-blade – 5 fillets | ~5mm/0.19"
- SS skirt steak – 2-blade configuration, produces 3 fillets (requires different top belt)

*Can remove top and bottom blade on 3-blade cutting group to make a 1-blade cutting group, which would product 2 fillets.



Specifications

- Cutting capacity
 - Thickness: 45mm | 1.77"
 - Width: 120mm | 4.72"
- 115V / 60Hz | 97lbs
- Overall Dimensions: 19.4" x 21.9" x 13.8"





Since 1971



F1000N

Forming Machine

**GENTLE
FORM™**

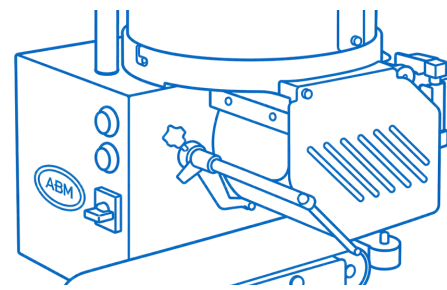


Overview

- Compact tabletop design - fits any kitchen footprint
- Fixed speed for simple, reliable operation
- Produces up to 1,800 patties per hour
- Stainless steel paddles - durable, hygienic, and easy to sanitize
- 25lb hopper - ideal for batching multiple recipes throughout the day
- Auto paper feed accommodates patty paper from 4.5" x 4.5" to 5.3" x 5.3"
- Standard drum included - everything needed to get started
- ¾ HP Motor | 115V / 60Hz | 125lbs

Drum Shapes

- Single Round
- Square
- Rectangle
- Oval
 - Double Hole - Round/Oval/Square
- Special/Custom





Since 1971



F2000PLUSB

Forming Machine

GENTLE
FORM™



FOOT
SWITCH

Overview

- Compact tabletop design - fits any kitchen footprint
- Variable speed output up to 3,600 patties per hour - built for high-volume production
- Stainless steel paddles - durable, hygienic, and easy to sanitize
- 35lb hopper keeps the line moving with fewer refills
- Auto paper feed accommodates patty paper from 4.5" x 4.5" to 5.3" x 5.3"
- Standard drum included - everything needed to get started
- 1 HP Motor | 115V / 60Hz | 150lbs

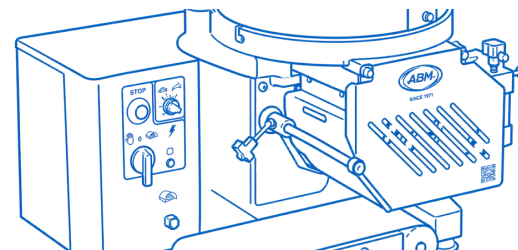


F2000PLUSB(SPECIAL)

Forming Machine

Everything in the F2000PLUSB, plus:

- 70lb hopper - twice the capacity for uninterrupted high-volume runs
- Pneumatic wire cleaner - faster, more consistent cleaning for sticky product
- Long belt for larger output





Since 1971'



L350C

Vertical
Fresh Meat Slicer



L350GA

Programmable Slicer



10
SPEED

SLICE
COUNTER

3
STROKE
LENGTHS

Overview

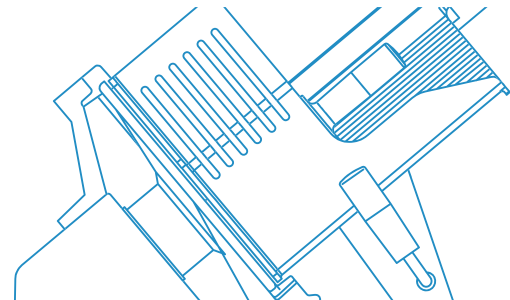
- SafeTilt™ - carriage won't tilt for cleaning until the gauge plate is closed, keeping operators protected every time
- Industry-leading IP69 switches and IP65 motor protection - built to last
- Built-in sharpener keeps you ready - no extra tools, no downtime

L350C Cutting Capacity

- Rectangle: 11 3/8" x 10 1/4"
- Square: 10 1/4" x 10 1/4"
- Round: 10 1/4" in diameter
- Thickness: 20mm | ~0.8"

L350GA Cutting Capacity

- Rectangle: 10 1/4" x 6 1/8"
- Square: 7 7/8" x 7 7/8"
- Round: 8 5/8" in diameter
- Thickness: 30mm | ~1.2"





Since 1971



L350G

Manual Slicer



L350COMVV

Automatic Slicer



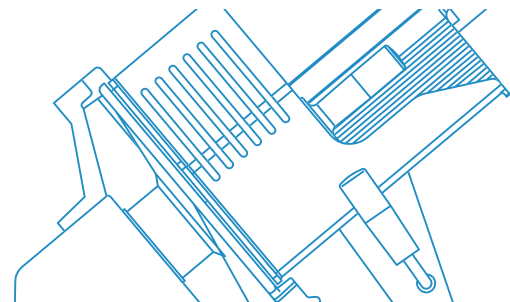
10
SPEED

Overview

- 12% more cutting surface than the leading competitor - unmatched versatility
- SafeTilt™ - carriage won't tilt for cleaning until the gauge plate is closed, keeping operators protected every time
- Industry-leading IP69 switches and IP65 motor protection - built to last
- Slices up to 30mm (~1.2") thick, twice the capacity of the L300 Series
- Built-in sharpener keeps you ready - no extra tools, no downtime
 - Optional separated sharpener available on manual model

Cutting Capacity

- Rectangle: 10¼" x 6⅞" - room for the largest deli loaves and roasts
- Square: 7 ⅞" x 7 ⅞" - generous portions, perfectly consistent
- Round: 8 ⅝" in diameter - built for large sausages, rounds, and oversized cuts





Since 1971



L300G

Manual Slicer



L300C

Automatic Slicer



Overview

- Full cutting capacity of a 13" blade, engineered into a more compact 12"
- SafeTilt™ - carriage won't tilt for cleaning until the gauge plate is closed, keeping operators protected every time
- Industry-leading IP69 switches and IP65 motor protection - built to last
- Slices up to 15mm (~0.6") thick, from deli-thin to hearty cuts
- Built-in sharpener keeps you ready - no extra tools, no downtime

Cutting Capacity

- Rectangle cuts up to 8 $\frac{2}{3}$ " x 7" - ideal for full-width deli loaves and roasts
- Perfect square slices at 7" x 7" for uniform portioning every time
- Round cuts up to 7 $\frac{7}{8}$ " in diameter - handles large sausages and rounds with ease

